

RAIN HARVESTING

by Blue Mountain Co

DISCLAIMER

You acknowledge and agree that the information, data, advice, opinion, plan or other thing (Material) provided to you by Rain Harvesting Pty Ltd (ABN 11113 300 093) (we, us, our) is provided "as is" without any representation, warranty, indemnity or guarantee as to the performance, accuracy, timeliness, completeness, merchantability or fitness of the Material for any particular purpose or application. The Material may contain errors, mistakes, inaccuracies and may not be complete. We expressly exclude any liability for such performance, accuracy, timeliness, completeness, merchantability or fitness of the Material for any particular purpose or application, to the maximum extent permissible by law. Unless we expressly specify otherwise, we disclaim all responsibility and liability for any third party provided advice or provision of services, or failure to advise or provide services. The disclaimers above are subject to the rights, warranties, guarantees and remedies relating to the provision of services that you have under, and that cannot be excluded, restricted or modified under, the Australian Consumer Law. For more information, please see our Services Purchase Terms at www.bluemountainco.com.au

+61 (0)7 3248 9600

rainharvesting.com

RAIN HARVESTING

by Blue Mountain Co

Leaf Eater Advanced



Installation and Specification Guide

PRODUCT DETAILS

A compact mosquito-proof rain head for small spaces, awkward places and horizontal and vertical downpipes.

RHAD100 3" & 4" (SCH40 & SDR35 fitment)

RHAD90 2x3" & 3x4"

FEATURES AND BENEFITS

- Patented single screen technology for advanced debris shedding (Clean Shield™)
- Pivot the outlet to suit vertical or horizontal (rear outlet) downpipes – variety of installation options in one product
- Filter leaves and debris before they enter your downpipes no matter what shape your gutters, eaves and roof may be.
- Single screen with 955 micron aperture mosquito proof stainless steel mesh

Installation

WHAT'S IN THE BOX?

- Leaf Eater Advanced

TOOLS/MATERIALS YOU MAY REQUIRE

- Tape measure
- Marker pen
- Saw
- Screws
- Screwdriver or drill
- Solvent cement glue

NOTE 1: Ensure a suitable 1-2" gap is placed between the open end of your downpipe and screen of your rain head, to allow debris to escape the flow of water.

This can vary depending on the type/size of leaf matter and debris you experience in your gutter.

GUTTER, EAVE & "MID" MOUNT (VERTICAL)

1. Locate the position at which you will be installing your Leaf Eater Advanced rain head. Whether this is directly under your gutter/eave or midway down your downpipe, it should be a minimum of 20" above your tank inlet and tank overflow pipe.
2. For installation on a vertical downpipe directly under your gutter, measure 8" from the bottom of the existing gutter pop and remove this section of downpipe. For installation under your eaves or midway down your downpipe, remove a 8" section of pipe at your desired installation point. Ensure all cut edges are clean and smooth (Figure 1).
3. Remove the Clean Shield™ screen by lifting it up and then out (Figure 2).
4. Insert your Leaf Eater Advanced rain head by sliding it up behind the top section of downpipe and then down into position. The rain head outlet pipe should be slid firmly into the bottom downpipe until it can be pushed no further (Figure 3).
5. Using the screw slots provided, screw your Leaf Eater Advanced into position. Ensure appropriate screws (and anchors if required) are used (Figure 5).
6. Reinsert the Clean Shield™ screen into your rain head. Ensure the screen sits firmly in place and check installation is secure (Figure 6).
7. If desired, you can paint your rain head to match your downpipes and/or building.

GUTTER MOUNT (HORIZONTAL)

1. Locate the position at which you will be installing your Leaf Eater Advanced rain head. Whether this is directly under your gutter/eave or midway down your downpipe, it should be a minimum of 20" above your tank inlet and tank overflow pipe.
2. Remove the Clean Shield™ screen by lifting it up and then out (Figure 2).
3. Swivel the outlet to the horizontal position. Some force may be required.

4. Position your Leaf Eater Advanced next to your existing pipework and use it as a template to mark top and bottom cutting lines. Cut the pipe where you have marked. Ensure all cut edges are clean and smooth (Figure 4).
5. Use solvent cement to glue the rear outlet into the horizontal pipe. The back fixing plate should sit behind the top section of downpipe.
6. Screw your Leaf Eater Advanced into position using the screw slots provided. Use appropriate screws (and anchors if required) (Figure 5).
7. Reinsert the Clean Shield™ screen into your rain head. Ensure the screen sits firmly in place and check installation is secure (Figure 6).
8. If desired, you can paint your rain head to match your downpipes and/or building.

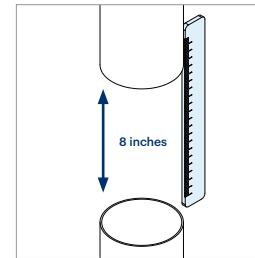


Figure 1

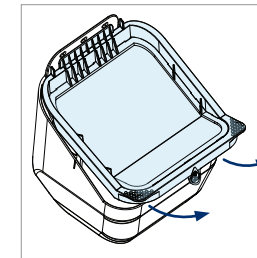


Figure 2

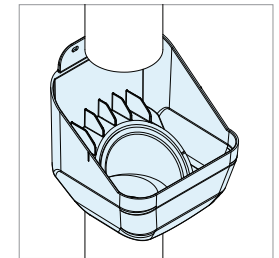


Figure 3

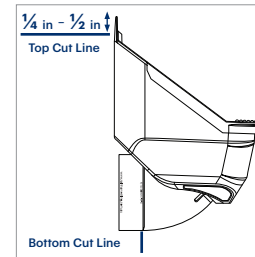


Figure 4

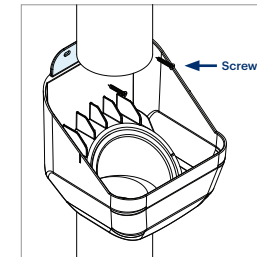


Figure 5

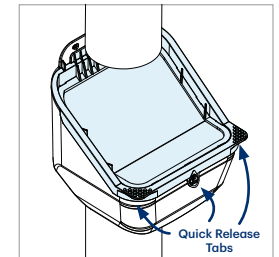
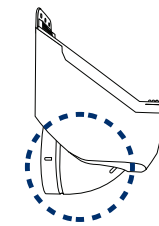
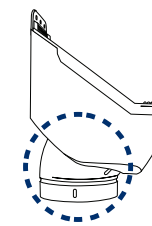


Figure 6



Horizontal Position



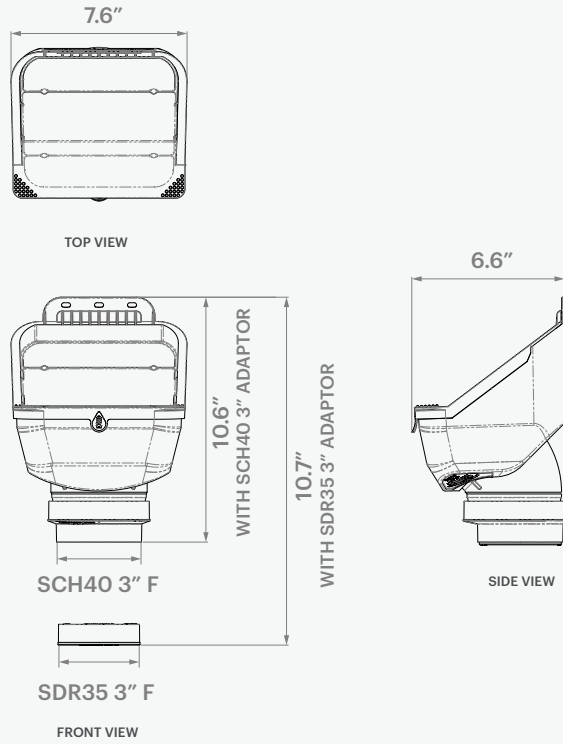
Vertical Position

MAINTENANCE

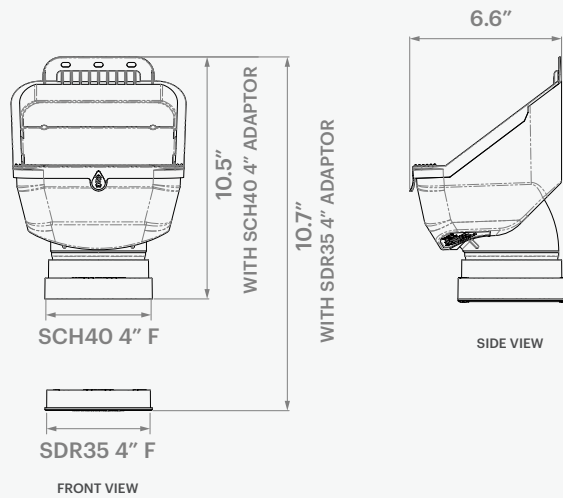
Your rain head's Clean Shield™ screen is mostly self-cleaning. If cleaning is required, simply take hold of the quick release tabs and pull the Clean Shield™ screen upwards and outwards, then hose or brush off before reinserting the screen.

PRODUCT DIMENSIONS

RHAD100
with 3 inch adaptors

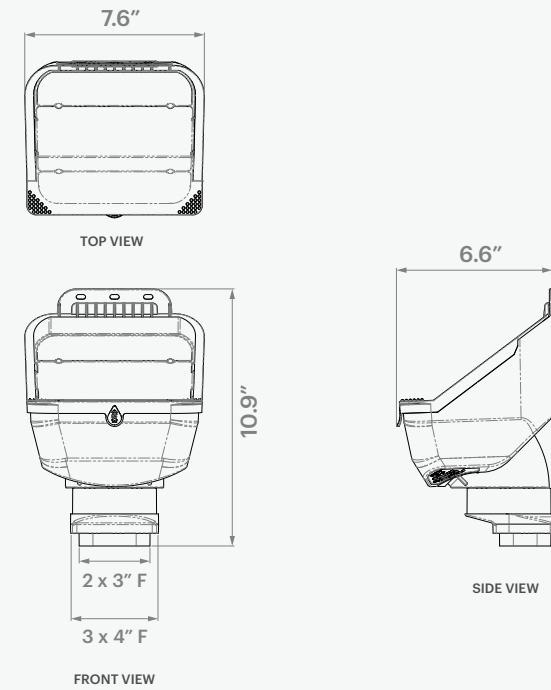


RHAD100
with 4 inch adaptors



PRODUCT DIMENSIONS

RHAD90 with 2x3" & 3x4" adaptors



ALL DIMENSIONS IN INCHES UNLESS OTHERWISE STATED.

Pipe Fitment

RHAD100	3" & 4" SCH40 & SDR35 pipes fit inside
RHAD90	2x3" & 3x4" pipes fit inside