

RAIN HARVESTING
by Blue Mountain Co

Leaf Eater[®] Commercial

with The Hood (PP)



Installation and Specification Guide

PRODUCT DETAILS

Keep leaves and insects out of your rainwater system while capturing more rainwater by minimising splashing with The Hood.

Code	Size	Country
RHCL61	150mm/6"	Global

Installation

WHAT'S IN THE BOX?

- Leaf Eater® Commercial Body
- Leaf Eater® Commercial Screen
- Leaf Eater® Commercial Hood
- Screws

TOOLS/MATERIALS YOU MAY REQUIRE

- Tape measure
- Marker pen
- Saw
- Pipe Brackets
- Screws for mounting
- Screwdriver or drill

INSTALLATION



1 - Locate the position at which you will be installing your Leaf Eater® Commercial with The Hood. Whether this is directly under your eave or midway down your downpipe, it should be a minimum of 500mm above your tank inlet and tank overflow pipe.

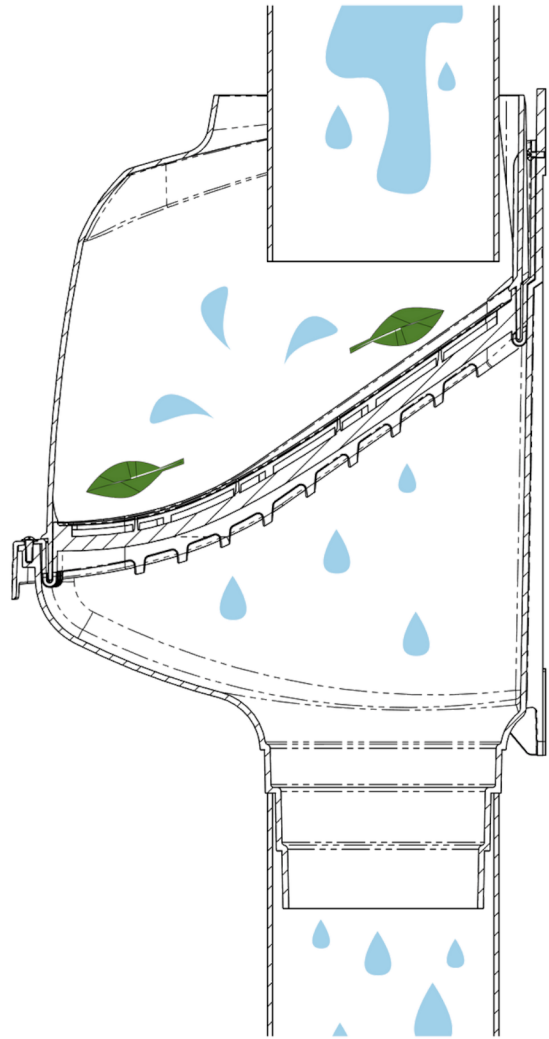
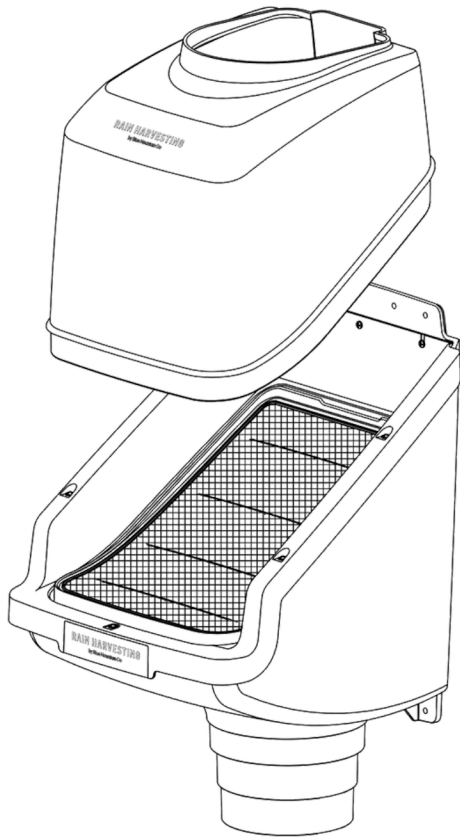
2 - Cut and bracket your bottom downpipe to the wall, being sure to offset it 30mm from the wall, if it isn't already offset.

3 - Insert your Leaf Eater® Commercial with The Hood into the pipe and mark the top and bottom flange fastening holes. Remove your rain head and prepare the necessary fastening points. Then reinsert your rain head and fasten it to the wall, ensuring it's adequately supported by the wall structure.

4 - Cut your upper pipe so that it will sit at least 20mm below the top of the hood when installed.

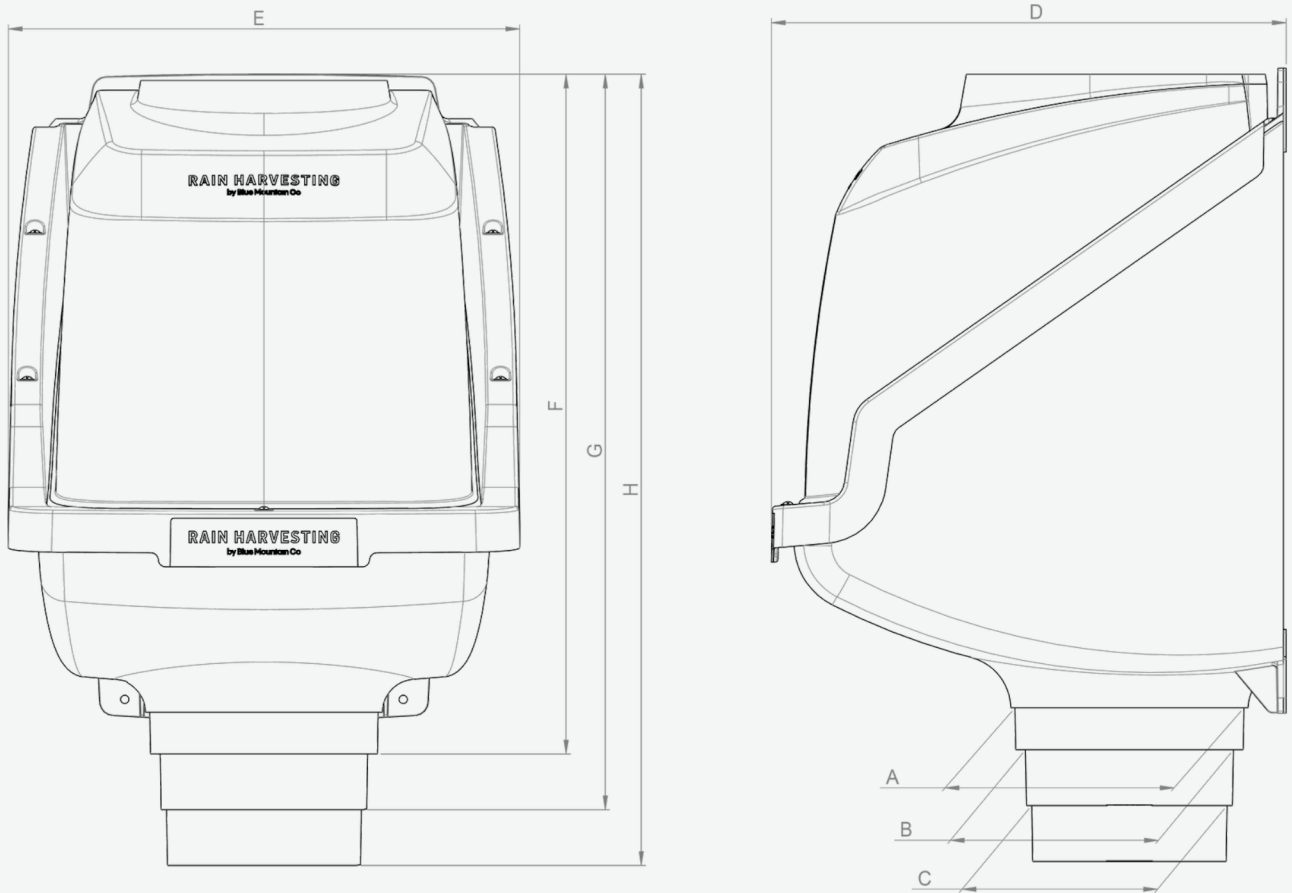
5 - Slide The Hood cover up the top section of pipe and lower the bottom skirt into the corresponding channel on the screen.

HOW IT WORKS



Product Specifications

Leaf Eater® Commercial with The Hood (PP)



Country	Code	A	B	C	D	E	F	G	H
Global	RHCL61	164mm (For attaching a flexible coupling)	149mm (Fits inside 150 DWV, 6" SCH40, & 6" SDR35)	140mm (Fits inside 150 Pressure Pipe)	369mm (14.5")	367mm (14.4")	488mm (19.2")	528mm (20.8")	568mm (22.4")

All dimensions are in mm unless otherwise stated.

Fitting guide:

F = Female / Socket Fitting

M = Male / Spigot Fitting (Pipe size)

IP = In-Pipe Fitting

Maintenance

- 1 - Slide The Hood cover up your inlet pipe and undo the screws to remove The Hood screen.
- 2 - With the screen removed, either brush off or wash the debris from the screen.
- 3 - Reinsert the screen into the Leaf Eater® Commercial body, making sure it is fully seated all the way around and flush with the body. Secure the screen to the body using the screws.
- 4 - Reinstall the cover, making sure that the skirt around the edge is fully seated in the corresponding channel on the screen.



A common misconception about collecting rainwater is that all you need is a roof, a tank and some rain. This 'tanking' approach cannot always be relied on to deliver the volume – or quality – of water that you require. That is where we can help.

With some thought, your rain harvesting system can provide you with cleaner water and lots of it. Whether you're completely reliant on tank water or wanting to keep the garden green, our simple steps will help you achieve your goal.

The Rain Harvesting approach to rainwater collection involves using tested and proven products to make quality rainwater available for use in and around your property. You don't need much to get started and you will be surprised how easy it is to get the most out of your rainwater system.

[How can we help you?](#)

DISCLAIMER This product specification is not a complete guide to product usage. Further information is available from Rain Harvesting Pty Ltd and from the installation and Operating instructions. This specification sheet must be read in conjunction with the installation and Operating Instructions and all applicable statutory requirement. Product specifications may change without notice. © Rain Harvesting Pty Ltd

RAIN HARVESTING

by Blue Mountain Co

For more information or to find out
how we can help, just give us a call on

+61 7 3248 9600

Or visit our website at

rainharvesting.com