



JET

SELF-PRIMING JET PUMPS



JET SS 50-75-100

SELF-PRIMING CENTRIFUGAL ELECTRIC PUMPS



TECHNICAL DATA

Operating range:

capacity up to 23 gpm; head up to 213 ft (92 psi)

Liquid quality requirements: clean, free from solid or abrasive contaminants, non-viscous, non-aggressive, uncrystallised and chemically neutral.

Liquid temperature range: from 32°F to +95°F for domestic use for other use: from 32°F to +104°F

Maximum suction depth: 29 ft

Maximum ambient temperature: +122°F

Maximum pressure: 115 psi

Motor range: 1/2Hp , 3/4 Hp, 1Hp

Standard input voltage: single phase 115/230 V - 60 Hz Dual Voltage
three phase 230/400 V - 60 Hz

Insulation class: F

Installation: Horizontal fixed position

Approvals: CSA certification to

CSA Standard C22.2 No 108- 14 Liquid Pumps.

UL Standard 778- 5th Edition- Motor operated water pumps

Versions on request: Available with-out Pressure switch

APPLICATIONS

Self priming centrifugal pump with optimal liquid aspiration even in the presence of air bubbles.

Suitable for pumping water with low levels of sandy impurities.

Especially used in domestic water supply installations.

Suitable for small farms and gardening, small scale industrial services and where self priming is necessary.

CONSTRUCTIONAL FEATURES OF THE PUMP

Pump body, seal holder cover and shim washers in stainless steel.

Motor frame in die cast aluminium.

Impeller, diffuser, venturi tube in technopolymer.

Carbon/ceramic mechanical seals.

CONSTRUCTIONAL FEATURES OF THE MOTOR

Asynchronous type, closed, with external air cooling.

Rotor mounted on oversized greased-for-life ball bearings, to guarantee low noise and long life.

Incorporated thermo-amperometric protection and permanently inserted condenser in the single phase version.

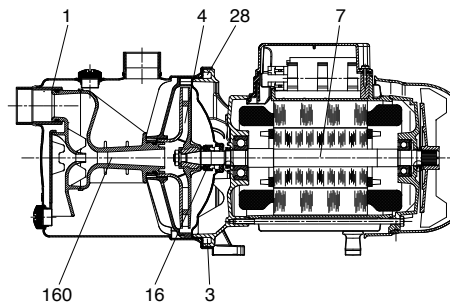
It is recommended to use overload protection for three phase motor protection, in compliance with current legislation.

Manufacture pursuant to CEI 2-3 and CEI 61-69 (EN 60335-2-41) standard.

MATERIALS

N°	PARTS *	MATERIALS
1	PUMP BODY	AISI 304 STAINLESS STEEL X5 CRNi 1810 - UNI 6900/71
4	IMPELLER	TECHNOPOLYMER A
7	SHAFT WITH ROTOR	AISI 416 STAINLESS STEEL X12 CrS13 - UNI 6900/71
16	MECHANICAL SEAL	CARBON/CERAMIC
28	OR GASKET	NBR RUBBER
36	SEAL HOLDER COVER	AISI 304 STAINLESS STEEL X5 CRNi 1810 - UNI 6900/71
160	VENTURI DIFFUSER NOZZEL GROUP	TECHNOPOLYMER A

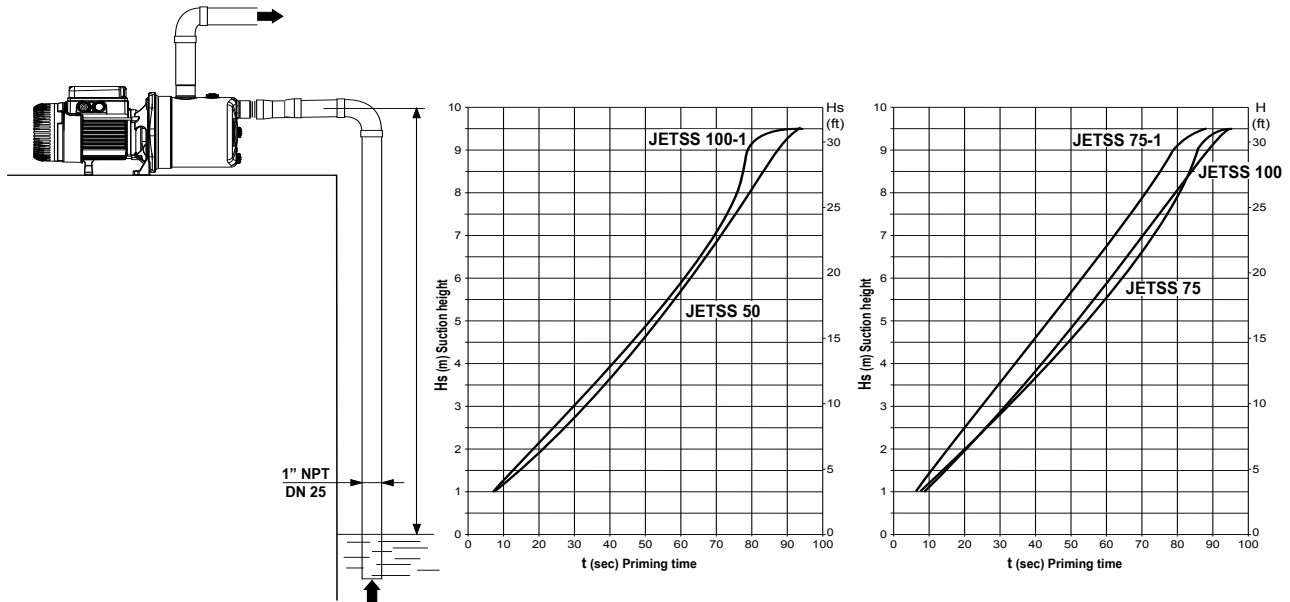
* In contact with liquid



JET SS 50-75-100

SELF-PRIMING CENTRIFUGAL ELECTRIC PUMPS

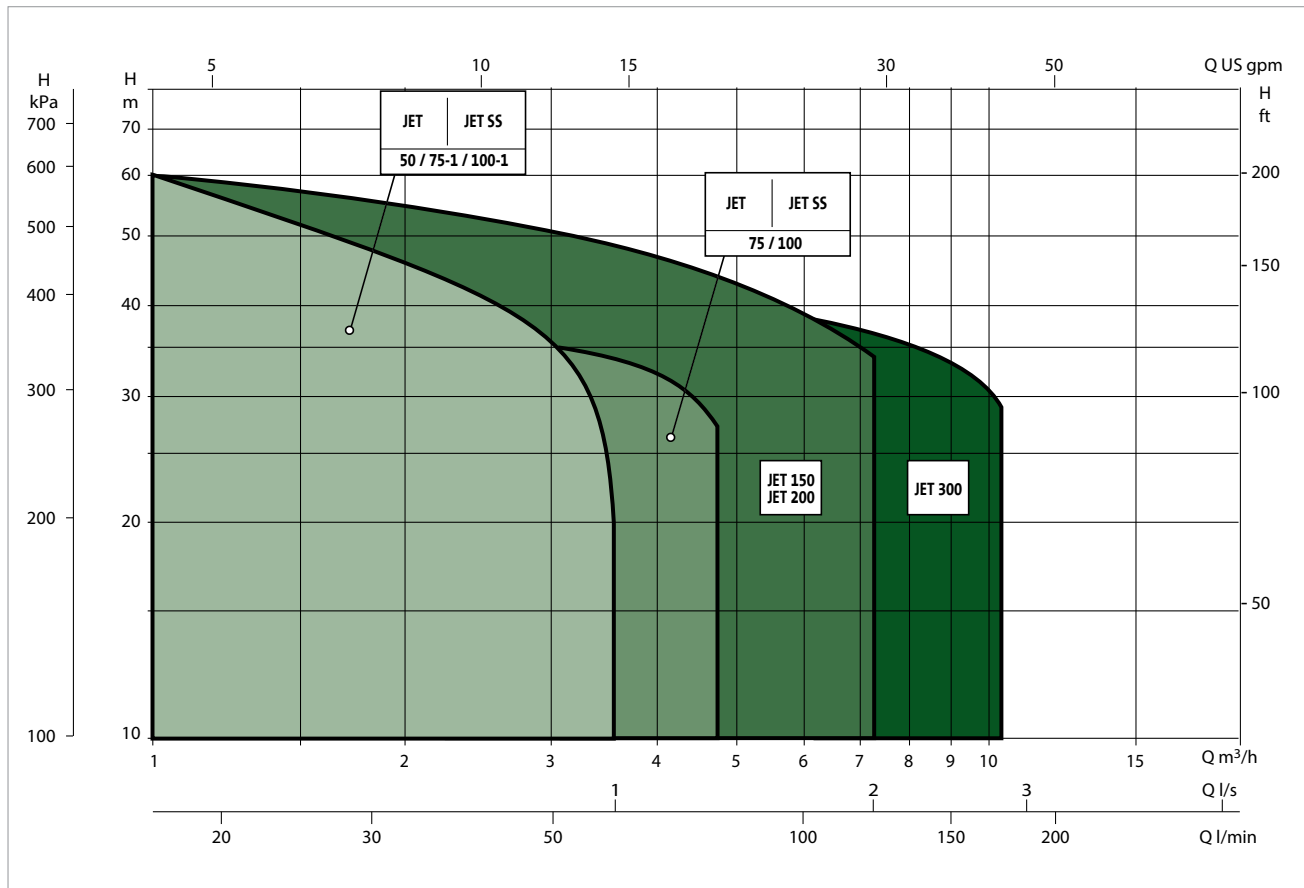
SELF PRIMING CAPACITY



PERFORMANCE RANGE

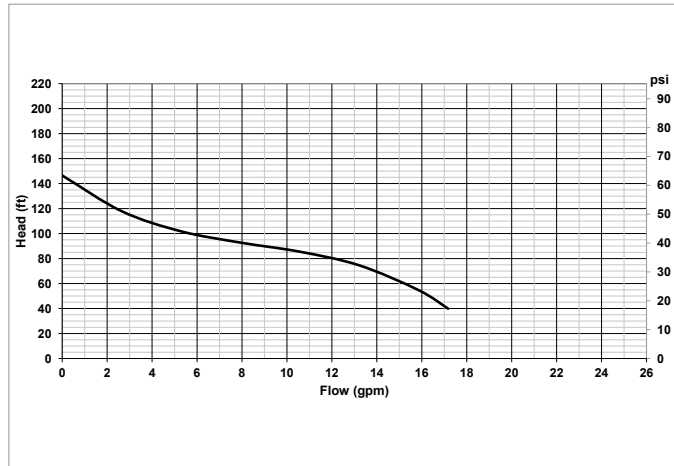
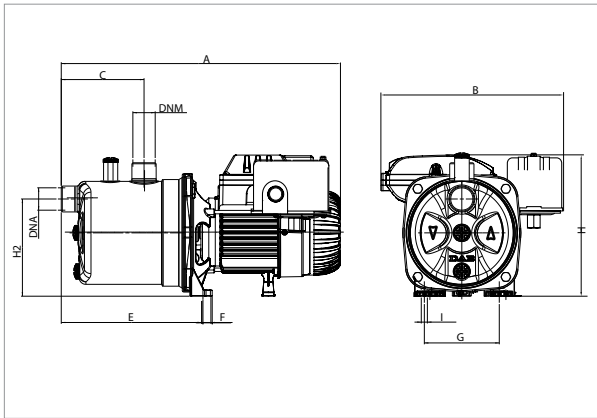
The performance curves are based on kinematic viscosity values = 1 mm²/s and density equivalent to 1000 kg/m³. Curve tolerance according to ISO 9906.

GRAPHIC SELECTION TABLE



JET SS 50 - SELF-PRIMING CENTRIFUGAL ELECTRIC PUMPS FOR DOMESTIC WATER SUPPLY

Liquid temperature range pumped: from 32°F to +104°F - Maximum ambient temperature: 122°F



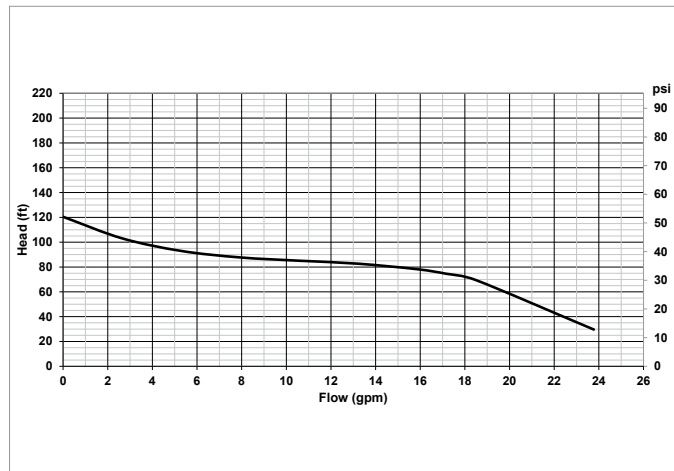
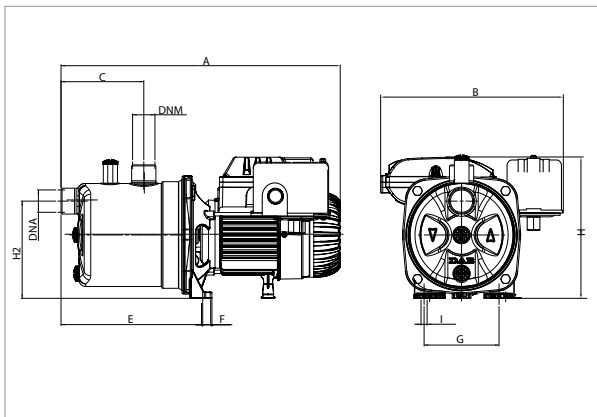
The performance curves are based on the kinematic viscosity values = 1 mm²/s and density equivalent to 1000 kg/m³. Curve tolerance according to ISO 9906.

MODEL	ELECTRICAL DATA						
	POWER SUPPLY 60 Hz	kW	HP	SERVICE FACTOR	RPM	In Amps	
						110v	230v
JET SS 50 M DV	1x110-230 V ~	0.6	½	1.6	3400	8.21	4.22

MODEL	A	B	C	E	F	G	H	H2	I Ø	DNA NPT	DNM NPT	PACK DIMENSIONS			VOLUME (Cu Ft)	GROSS WEIGHT Lbs
												L/A	L/B	H		
JET SS 50 M DV	15.98	10.35	4.80	8.15	0.55	4.37	8.50	5.67	0.35	1"	1"	18.7	14.0	10.6	1.61	17.64

JET SS 75 - SELF-PRIMING CENTRIFUGAL ELECTRIC PUMPS FOR DOMESTIC WATER SUPPLY

Liquid temperature range pumped: from 32°F to +104°F - Maximum ambient temperature: 122°F



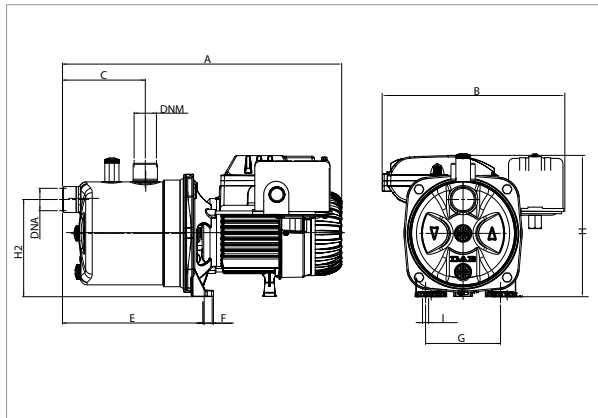
The performance curves are based on the kinematic viscosity values = 1 mm²/s and density equivalent to 1000 kg/m³. Curve tolerance according to ISO 9906.

MODEL	ELECTRICAL DATA						
	POWER SUPPLY 60 Hz	kW	HP	SERVICE FACTOR	RPM	In Amps	
						110v	230v
JET SS 75 - PS	1x110-230 V ~	0.75	¾	1.4	3400	8.55	4.33

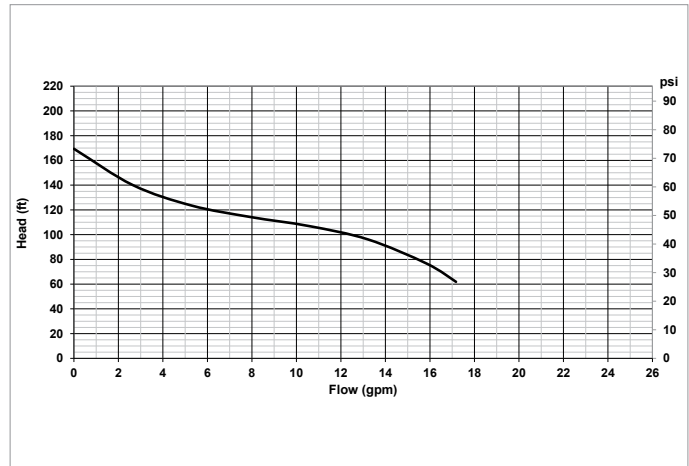
MODEL	A	B	C	E	F	G	H	H2	I Ø	DNA NPT	DNM NPT	PACK DIMENSIONS			VOLUME (Cu Ft)	GROSS WEIGHT Lbs
												L/A	L/B	H		
JET SS 75 - PS	15.98	10.35	4.80	8.15	0.55	4.37	8.50	5.67	0.35	1"	1"	18.7	14.0	10.6	1.61	19.18

JET SS 75-1 - SELF-PRIMING CENTRIFUGAL ELECTRIC PUMPS FOR DOMESTIC WATER SUPPLY

Liquid temperature range pumped: from 32°F to +104°F - Maximum ambient temperature: 122°F



The performance curves are based on the kinematic viscosity values = 1 mm²/s and density equivalent to 1000 kg/m³. Curve tolerance according to ISO 9906.

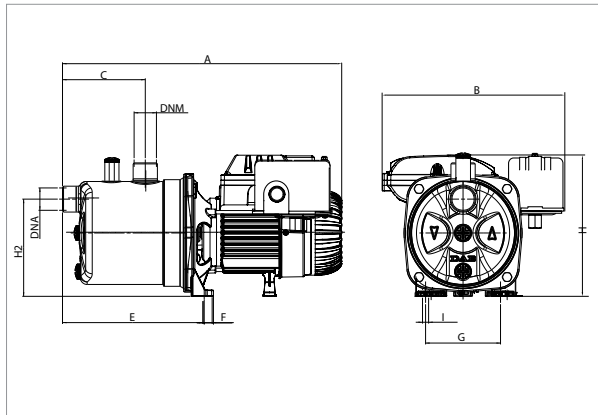


MODEL	ELECTRICAL DATA						
	POWER SUPPLY 60 Hz	kW	HP	SERVICE FACTOR	RPM	In Amps	
						110v	230v
JET SS 75-1 - PS	1x110-230 V ~	0.75	¾	1.4	3400	10.3	5.25

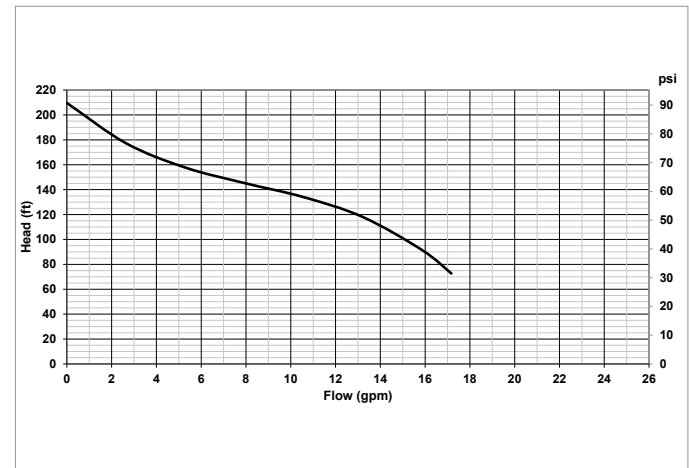
MODEL	A	B	C	E	F	G	H	H1	I Ø	DNA NPT	DNM NPT	PACK DIMENSIONS			VOLUME (Cu Ft)	GROSS WEIGHT Lbs
												L/A	L/B	H		
JET SS 75-1 - PS	16.69	10.35	4.80	8.15	0.55	4.37	8.50	5.67	0.35	1"	1"	18.7	14.0	10.6	1.61	21.65

JET SS 100-1 - SELF-PRIMING CENTRIFUGAL ELECTRIC PUMPS FOR DOMESTIC WATER SUPPLY

Liquid temperature range pumped: from 32°F to +104°F - Maximum ambient temperature: 122°F



The performance curves are based on the kinematic viscosity values = 1 mm²/s and density equivalent to 1000 kg/m³. Curve tolerance according to ISO 9906.

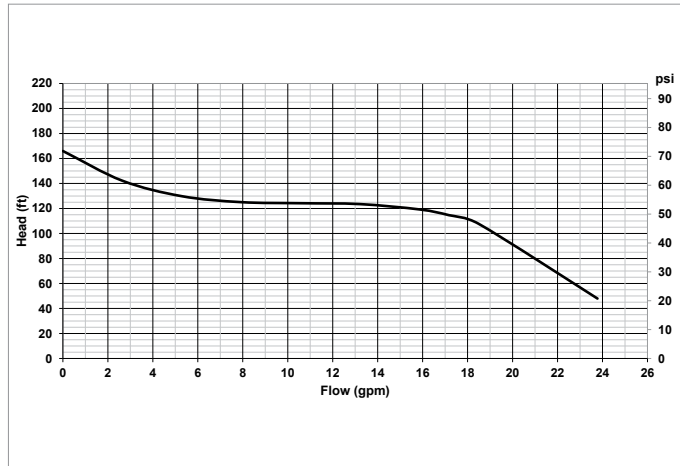
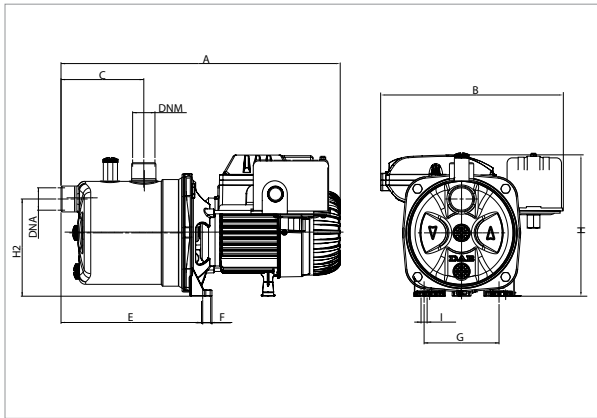


MODEL	ELECTRICAL DATA						
	POWER SUPPLY 60 Hz	kW	HP	SERVICE FACTOR	RPM	In Amps	
						110v	230v
JET SS 100-1 - PS	1x110-230 V ~	1	1	1.35	3400	13.9	7.2

MODEL	A	B	C	E	F	G	H	H1	I Ø	DNA NPT	DNM NPT	PACK DIMENSIONS			VOLUME (Cu Ft)	GROSS WEIGHT Lbs
												L/A	L/B	H		
JET SS 100-1 - PS	16.69	10.35	4.80	8.15	0.55	4.37	8.50	5.67	0.35	1"	1"	18.7	14.0	10.6	1.61	21.39

JET SS 100 - SELF-PRIMING CENTRIFUGAL ELECTRIC PUMPS FOR DOMESTIC WATER SUPPLY

Liquid temperature range pumped: from 32°F to +104°F - Maximum ambient temperature: 122°F



The performance curves are based on the kinematic viscosity values = 1 mm²/s and density equivalent to 1000 kg/m³. Curve tolerance according to ISO 9906.

MODEL	ELECTRICAL DATA						
	POWER SUPPLY 60 Hz	kW	HP	SERVICE FACTOR	RPM	In Amps	
						110v	230v
JET SS 100 - PS	1x110-230 V ~	1	1	1.35	3400	13.9	7.52

MODEL	A	B	C	E	F	G	H	H1	I Ø	DNA NPT	DNM NPT	PACK DIMENSIONS			VOLUME (Cu Ft)	GROSS WEIGHT Lbs
												L/A	L/B	H		
JET SS 100 - PS	16.69	10.35	4.80	8.15	0.55	4.37	8.50	5.67	0.35	1"	1"	18.7	14.0	10.6	1.61	23.81