

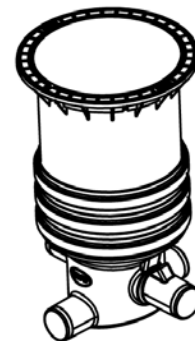
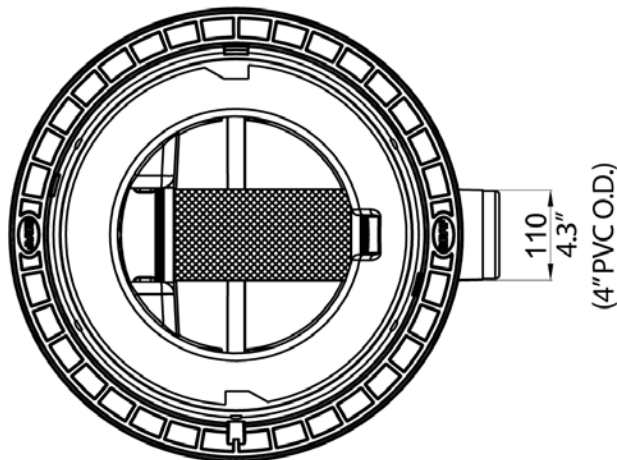
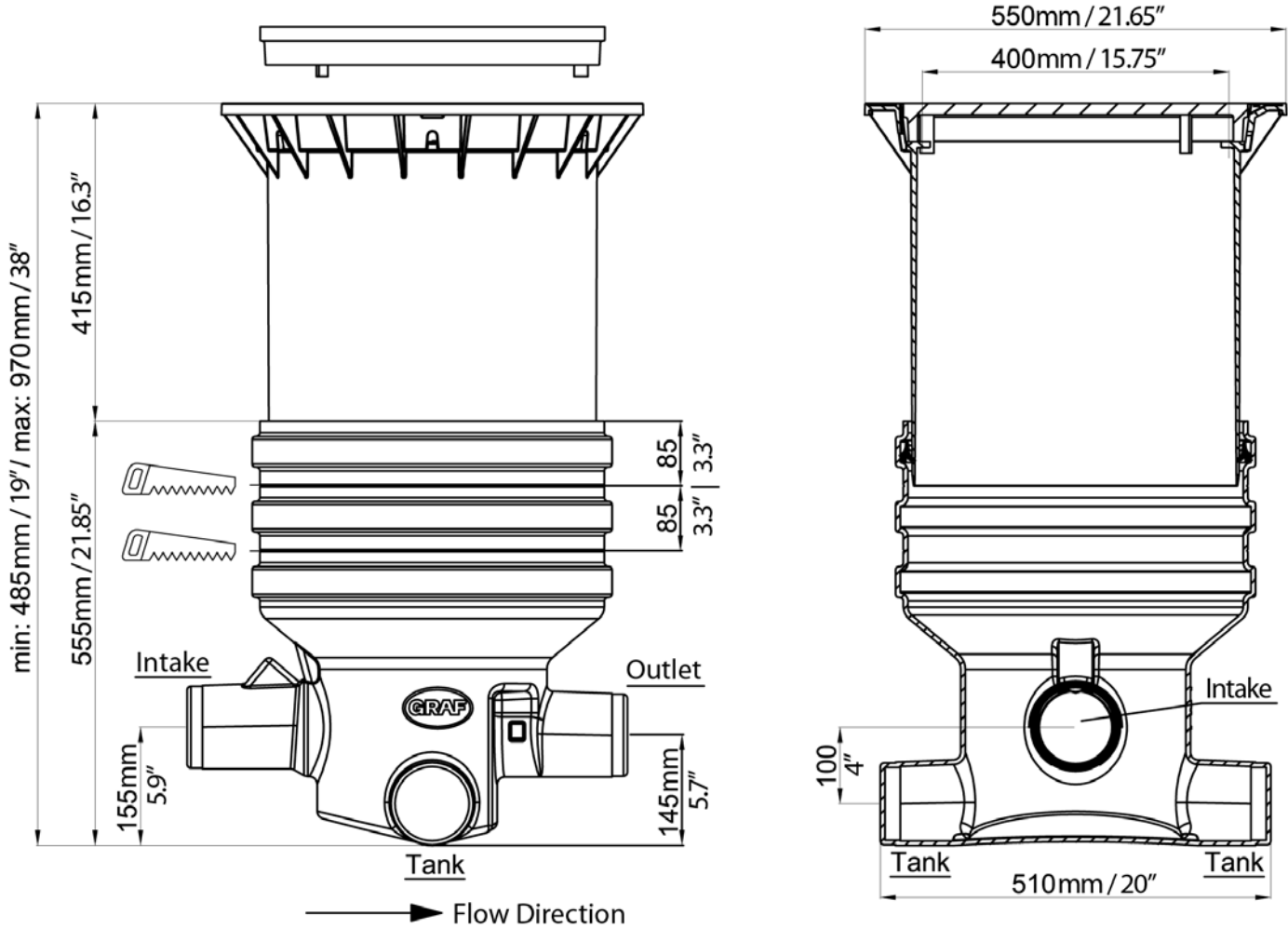


Minimax[®] Filter

Part Number

340061/340062

US Adaptation by RainHarvest Systems



Otto Graf GmbH
Kunststoffzeugnisse
79331 Teningen

Carl-Zeiss-Str. 2-6
Telefon 07641/589-0
Telefax 07641/589-50
Email: info@graf-online.de
www.graf-online.de

RainHarvest Systems, LLC
5190-D Performance Dr.
Cumming, GA 30040
Tel: 770-889-2533 Fax: 770-889-2577