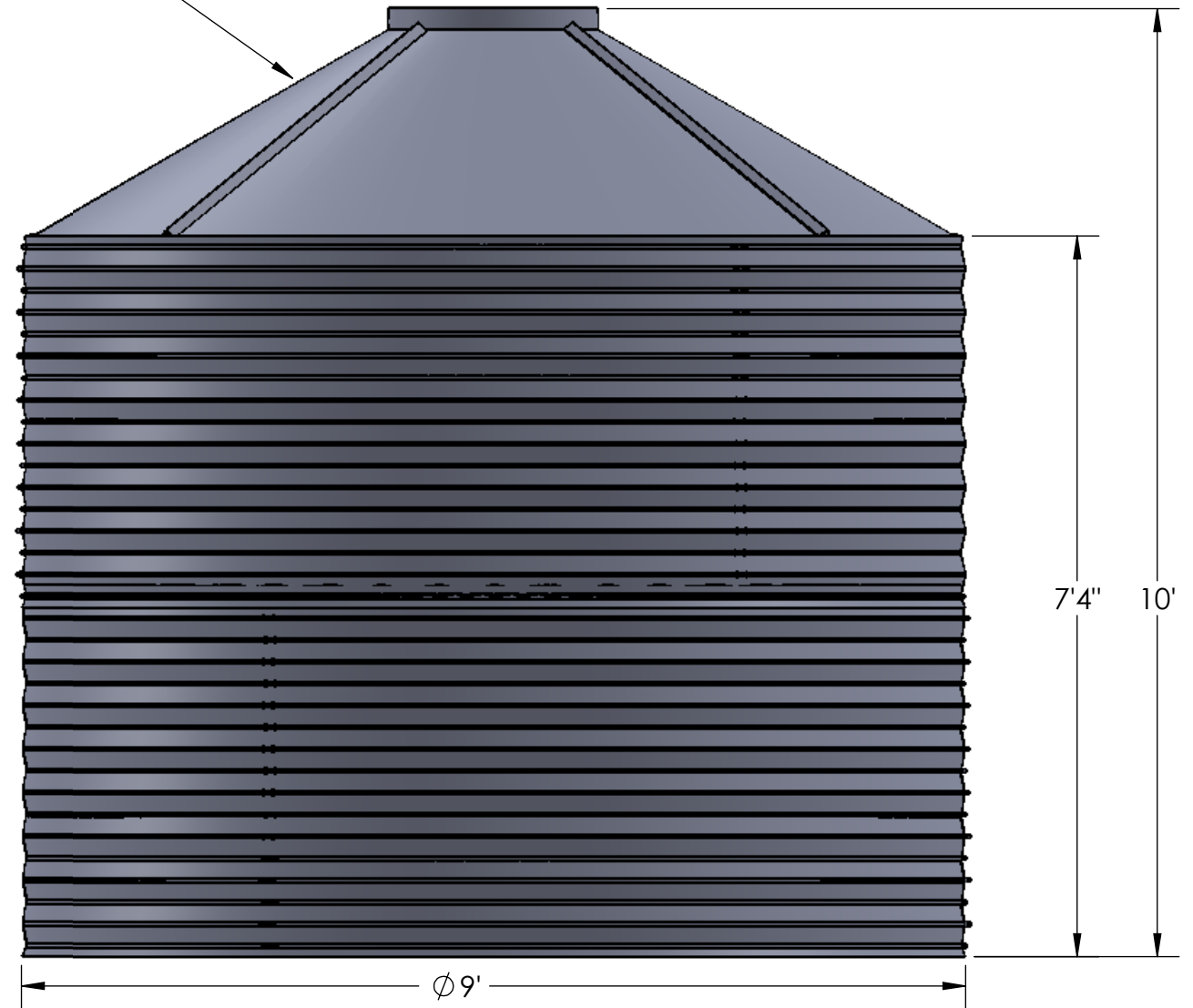
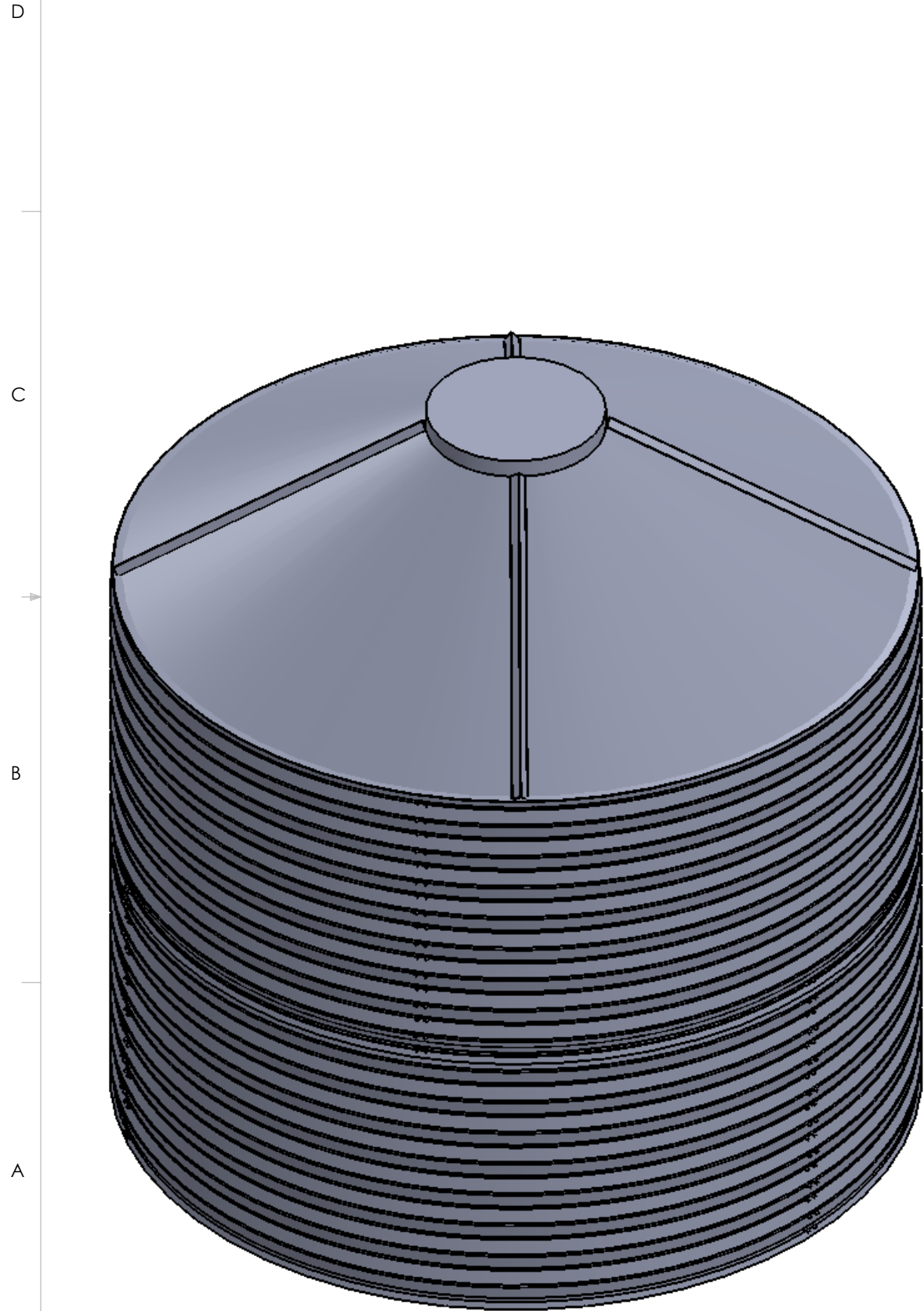


NOTES:
 1. NOMINAL CAPACITY: 3453 U.S. GALLONS

Aqualine
 WATERTANKS

30° ROOF CONFIGURATION



UNLESS OTHERWISE SPECIFIED:		NAME	DATE
DIMENSIONS ARE IN INCHES		DRAWN	AP 9.28.18
TOLERANCES:		CHECKED	
FRACTIONAL ± 1/16"		ENG APPR.	
ANGULAR: MACH ± .5° BEND ± .5°		MFG APPR.	
TWO PLACE DECIMAL ± .02"		Q.A.	
THREE PLACE DECIMAL ± .005"		COMMENTS:	
INTERPRET GEOMETRIC TOLERANCING PER: ASME Y14.5	MATERIAL	SALES DRAWING-TANK GENERAL ARRANGEMENT	
	MIXED	SIZE	DWG. NO.
FINISH	N/A	B	902-30
DO NOT SCALE DRAWING		REV	1
		SCALE: 1:20 WEIGHT: 520 LBS SHEET 1 OF 1	

TITLE:
GENERAL ARRANGEMENT
 9'
 2 TIER