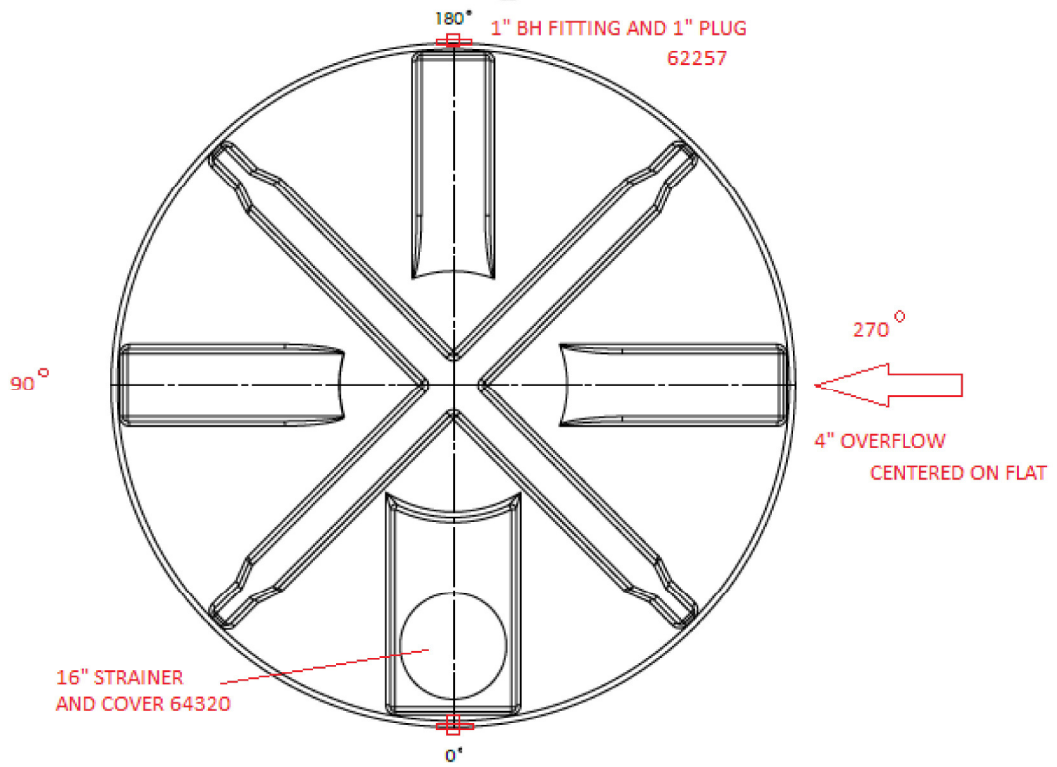


REVISIONS				
ZONE	REV.	DESCRIPTION	DATE	APPROVED
ALL	1	INITIAL DRAWING RELEASE	01/26/2015	DMC
ALL	2	REVISED DRAWING TO MATCH FAL PART	09/20/2016	DMC



NOTES:

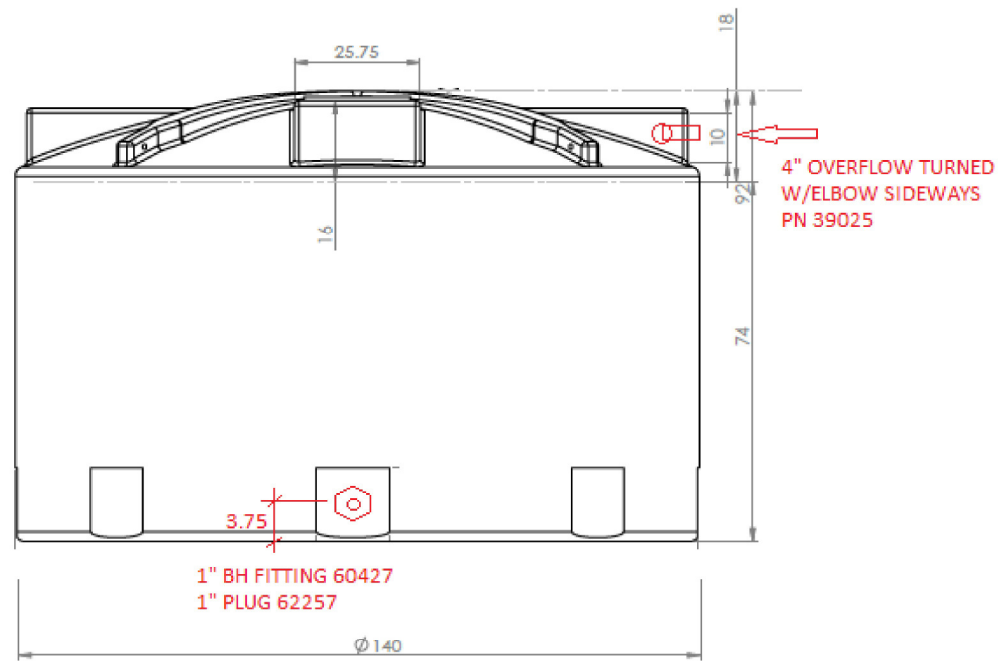
- ① 15" X 15" LAYOUT FLATS, 8 PLACES
45 DEGREE EQUAL SPACING.
- ② 15" X 13" DOME FLATS 3-PLACES.
- ③ 14" X 25.75" DOME FLAT, 1-PLACE.
- ④ 16" HINGEWAY.
- ⑤ FLUSH GALLON MARKERS.

ALL DIMENSIONS ARE FINISHED PART DIMENSIONS.

WALL THICKNESS 0.50 INCHES.

16" STRAINER AND COVER 64320

4" OVERFLOW CENTERED ON FLAT




- 30824 Black
- 30825 Dark Brown
- 30826 Mocha
- 30827 Dark Green

1" BH FITTING 60427
1" PLUG 62257

4" OVERFLOW TURNED W/ELBOW SIDEWAYS PN 39025

PROPERTY AND CONFIDENTIAL
THE INFORMATION CONTAINED IN THIS DRAWING IS THE SOLE PROPERTY OF SIMEX CORPORATION. ANY REPRODUCTION IN PART OR AS A WHOLE WITHOUT THE WRITTEN PERMISSION OF SIMEX CORPORATION IS PROHIBITED.

UNLESS OTHERWISE SPECIFIED: ALL DIMENSIONS ARE IN INCHES	TOLERANCES: XX ± .010 XXX ± .015 XXXX ± .020 ANGLES ± 1 DEG	NAME DMC	DATE 1-26-15
DRAWN	CHECKED	DATE	
DATE	DWG APPR.		
	MFG APPR.		
	G.A.		
	COMMENTS		



TITLE:
5000 GALLON TANK LOW PROFILE DESIGN
Rain Harvest

SIZE DWG. NO. REV
C WRP-107 2

SCALE: 1:20/WBHT: SHEET 1 OF 2