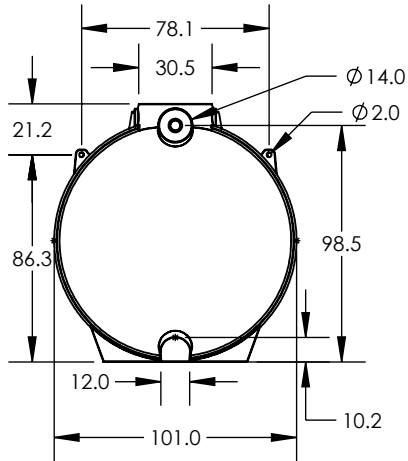
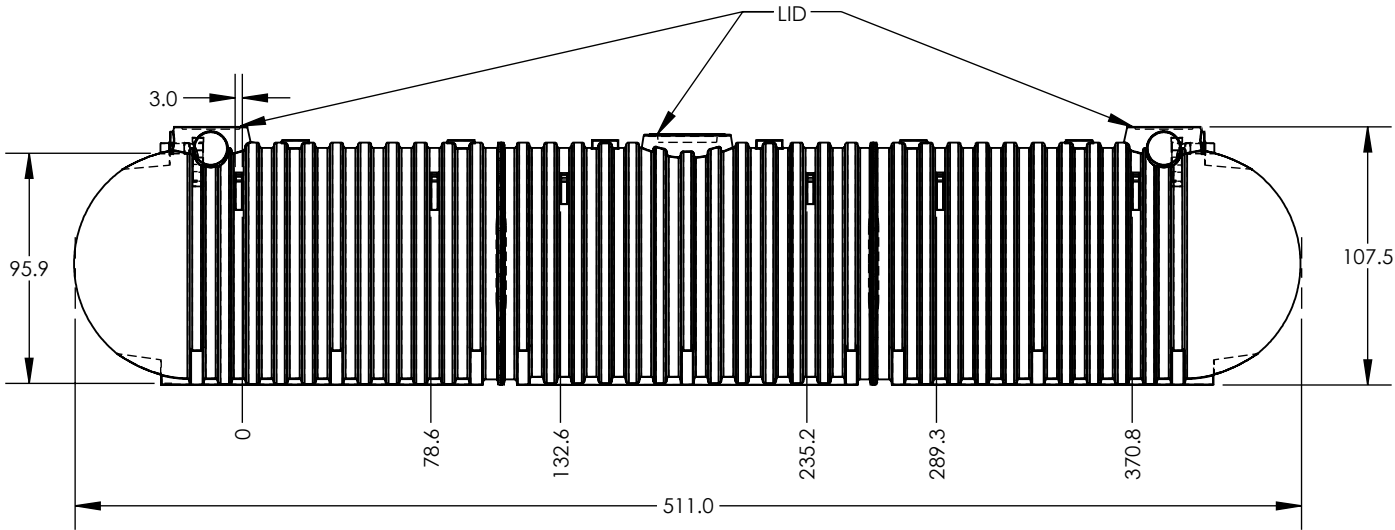


MATERIAL: HDPE
 MAX TANK CAPACITY: 15336 GALLONS
 CAPACITY AT 95.9": 15158 GALLONS
 MAX BURIAL DEPTH: 24"



**Rainwater
Equipment
877-331-7008**

**ALL DIMENSIONS ARE IN INCHES, NOMINAL, & SUBJECT TO CHANGE WITHOUT NOTICE.
 ALL DIMENSIONS ON ROTATIONAL MOLDED PARTS ARE SUBJECT TO A ± 3% TOLERANCE.**

DO NOT SCALE		DRAWN BY	 A BRAND OF TANK HOLDING CORP.	TITLE:	REVISION
STATUS:	Released	TJK		15000 Below Ground Assembly	A
© TANK HOLDING, CORP, 2023				PART NO.	SHEET
ALL DIMENSIONS, DESIGNS, AND INFORMATION ON THIS PRINT MUST BE CONSIDERED PROPRIETARY TO TANK HOLDING, CORP. AND MAY NOT BE USED, COPIED, OR DISTRIBUTED WITHOUT WRITTEN PERMISSION OF AN OFFICER (OR HIS AGENT) OF THE FIRM.				41615	1 OF 1
				ENG. ID.	
				D012484	