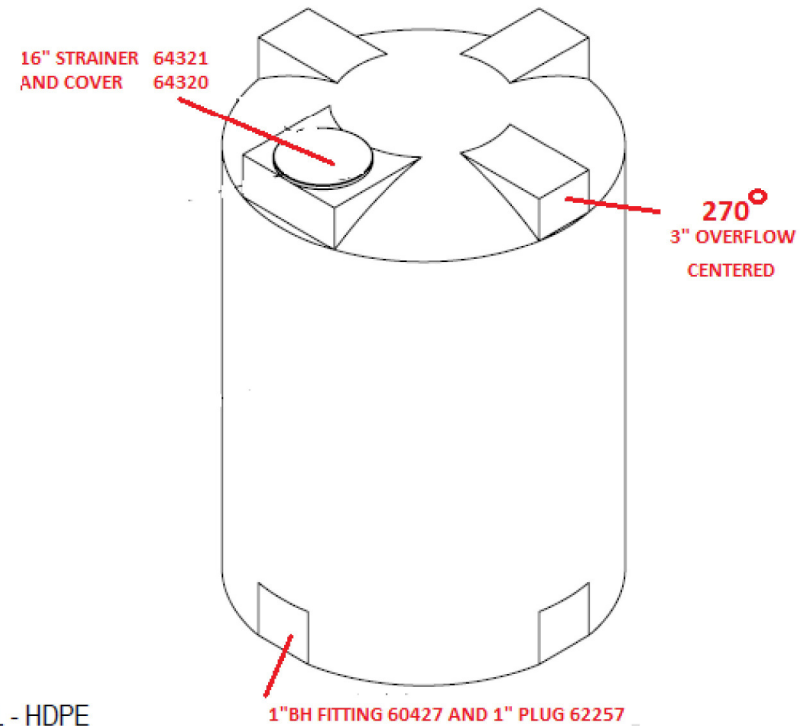


- 30339 Black
- 30714 Mocha
- 30343 Dark Green
- 30342 Dark Brown



NOTES:

1. MATERIAL - HDPE
2. WEIGHT - 170 LBS - EMPTY

**PROPRIETARY AND CONFIDENTIAL**  
 THE INFORMATION CONTAINED IN THIS DRAWING IS THE SOLE PROPERTY OF POLYHART, INC. 1810 BRATTON LANE #210, AUSTIN, TX 78728. ANY REPRODUCTION IN PART OR AS A WHOLE WITHOUT THE WRITTEN PERMISSION OF POLYHART, INC. 1810 BRATTON LANE #210, AUSTIN, TX 78728 IS PROHIBITED.

UNLESS OTHERWISE SPECIFIED:		NAME	DATE
DIMENSIONS ARE IN INCHES		DRAWN	GM 4-12-14
TOLERANCES:		CHECKED	
FRACTIONAL ±		ENG APPR.	
ANGULAR: MACH ± BEND ±		MFG APPR.	
TWO PLACE DECIMAL ±		Q.A.	
THREE PLACE DECIMAL ±		CAD DESIGN BY -	
INTERPRET GEOMETRIC TOLERANCING PER:		CADWorksPro	
MATERIAL	HDPE	Chicago, IL	
FINISH		gilm@cadworkspro.com	
DO NOT SCALE DRAWING			



TITLE:		1150 GALLON Rain Harvest Tank	
SIZE	DWG. NO.	REV	
<b>B</b>	1150 RHT		
SCALE: 1:20		WEIGHT:	SHEET 1 OF 3