

# MQ

Installation and operating instructions



# LIMITED WARRANTY

Products manufactured by GRUNDFOS PUMPS CORPORATION (Grundfos) are warranted to the original user only to be free of defects in material and workmanship for a period of 24 months from date of installation, but not more than 30 months from date of manufacture. Grundfos' liability under this warranty shall be limited to repairing or replacing at Grundfos' option, without charge, F.O.B. Grundfos' factory or authorized service station, any product of Grundfos' manufacture. Grundfos will not be liable for any costs of removal, installation, transportation, or any other charges which may arise in connection with a warranty claim. Products which are sold but not manufactured by Grundfos are subject to the warranty provided by the manufacturer of said products and not by Grundfos' warranty. Grundfos will not be liable for damage or wear to products caused by abnormal operating conditions, accident, abuse, misuse, unauthorized alteration or repair, or if the product was not installed in accordance with Grundfos' printed installation and operating instructions.

To obtain service under this warranty, the defective product must be returned to the distributor or dealer of Grundfos' products from which it was purchased together with proof of purchase and installation date, failure date, and supporting installation data. Unless otherwise provided, the distributor or dealer will contact Grundfos or an authorized service station for instructions. Any defective product to be returned to Grundfos or a service station must be sent freight prepaid; documentation supporting the warranty claim and/or a Return Material Authorization must be included if so instructed.

**GRUNDFOS WILL NOT BE LIABLE FOR ANY INCIDENTAL OR CONSEQUENTIAL DAMAGES, LOSSES, OR EXPENSES ARISING FROM INSTALLATION, USE, OR ANY OTHER CAUSES. THERE ARE NO EXPRESS OR IMPLIED WARRANTIES, INCLUDING MERCHANTABILITY OR FITNESS FOR A PARTICULAR PURPOSE, WHICH EXTEND BEYOND THOSE WARRANTIES DESCRIBED OR REFERRED TO ABOVE.**

Some jurisdictions do not allow the exclusion or limitation of incidental or consequential damages and some jurisdictions do not allow limit actions on how long implied warranties may last. Therefore, the above limitations or exclusions may not apply to you. This warranty gives you specific legal rights and you may also have other rights which vary from jurisdiction to jurisdiction.

<b>English (US)</b>	
Installation and operating instructions . . . . .	4
<b>Español (MX)</b>	
Instrucciones de instalación y funcionamiento . . . . .	23
<b>Français (CA)</b>	
Notice d'installation et de fonctionnement . . . . .	43
Appendix . . . . .	62

## CONTENTS

	Page
<b>1. Introduction</b>	<b>4</b>
<b>2. Items supplied</b>	<b>4</b>
<b>3. Symbols used in this document</b>	<b>5</b>
<b>4. Applications</b>	<b>5</b>
4.1 Pumped liquids	5
<b>5. Identification</b>	<b>6</b>
5.1 Type key	6
<b>6. Operating conditions</b>	<b>7</b>
6.1 Suction lift	7
<b>7. Mechanical installation</b>	<b>8</b>
7.1 Location	8
7.2 Foundation	8
7.3 Space requirement	8
7.4 Pipework	8
7.5 Protective cover	10
<b>8. Electrical connection</b>	<b>11</b>
8.1 Generator or inverter	11
8.2 Wiring diagram	12
8.3 Winding resistance measurement	12
8.4 Winding resistance measurement	13
8.5 Start-up	14
<b>9. Functions</b>	<b>15</b>
9.1 Control panel	15
9.2 Pump stop	16
<b>10. Maintenance</b>	<b>17</b>
10.1 Service kits	17
10.2 Start-up after a long period of inactivity	17
<b>11. Service</b>	<b>17</b>
<b>12. Technical data</b>	<b>18</b>
12.1 Dimensions	18
12.2 Electrical data	18
12.3 Approvals	18
<b>13. Accessories</b>	<b>18</b>
<b>14. Fault finding chart</b>	<b>19</b>
<b>15. MQ frequently asked questions</b>	<b>21</b>
<b>16. Disposal</b>	<b>22</b>

**WARNING**

*Prior to installation, read these installation and operating instructions. Installation and operation must comply with local regulations and accepted codes of good practice.*

**1. Introduction**

The MQ is a low-noise water supply system consisting of pump, motor, pressure tank and controller combined into one compact unit. The system is suitable for both indoor and outdoor use.

The self-priming pump starts automatically when water is consumed in the installation and stops when consumption ceases. The internal, built-in non-return valve prevents backflow during priming and operation.

The MQ pump incorporates overtemperature and dry-running protection as well as a user-friendly control panel.

The built-in pressure tank reduces the number of starts and stops in case of leakage in the installation.

**2. Items supplied**

The MQ packaging contains these items:

- MQ water supply system with built-in non-return valve
- non-return inlet valve in plastic bag
- installation and operating instructions.

### 3. Symbols used in this document



#### **WARNING**

*If these safety instructions are not observed, it may result in personal injury!*

Caution

*If these safety instructions are not observed, it may result in malfunction or damage to the equipment!*

Note

*Notes or instructions that make the job easier and ensure safe operation.*

### 4. Applications

The MQ water supply system is designed for these typical applications:

- water pressure boosting  
(maximum inlet pressure: 40 psi)
- water supply from wells (maximum suction lift: 25 ft), for example
  - in private homes
  - on farms
  - in market gardens and other large gardens.

The pump is suitable for rain water.

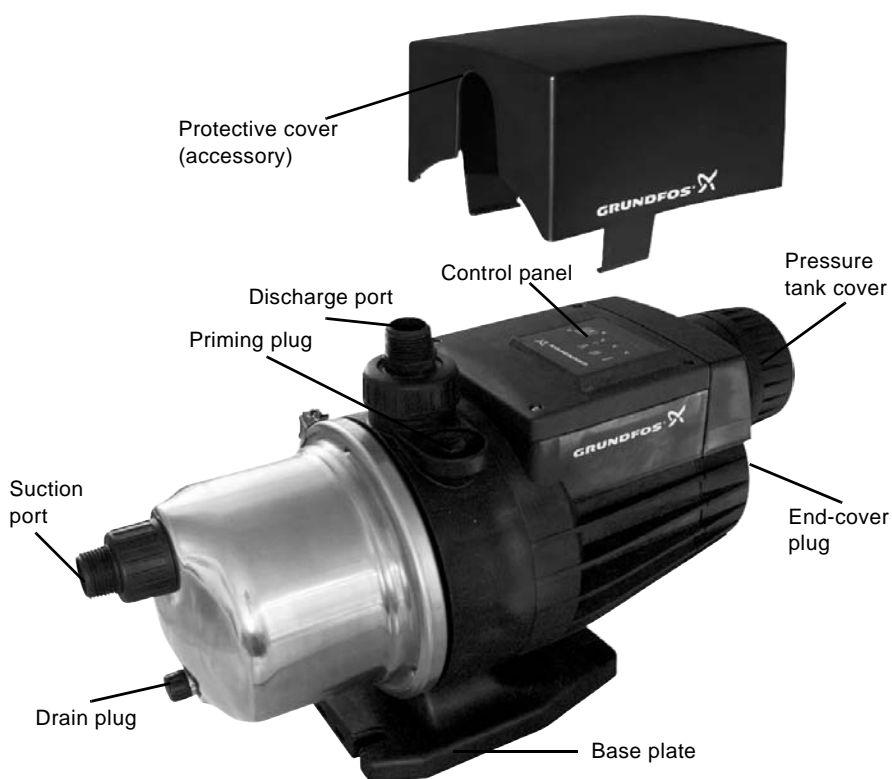
#### 4.1 Pumped liquids

Thin, clean, non-aggressive liquids, not containing solid particles or fibres.

## 5. Identification

### 5.1 Type key

Example	MQ	3	-35	A	-O	-A	BVBP
Pump type							
Nominal flow rate [m <sup>3</sup> /h]							
Head [m]							
Code for pump version							
A: Standard							
Code for pipework connection							
Code for materials							
A: Standard							
Code for shaft seal							



**Fig. 1** MQ water supply system. Protective cover is required for outdoor use.

## 6. Operating conditions

	MQ 3-35	MQ 3-45
Maximum flow rate [gpm]	22	
Maximum pressure [psi]	51	65
Maximum system pressure [psi]	108	
Maximum suction lift [ft]; see page 62	25	
Minimum ambient temperature [°F]/[°C]	32/0	
Maximum ambient temperature [°F]/[°C]	113/45	
Minimum liquid temperature [°F]/[°C]	32/0	
Maximum liquid temperature [°F]/[°C]	95/35	
Net weight [lbs]	29	
Sound pressure level [dB(A)]	< 70	
Tank volume [oz]	13.5	
Air pressure in tank [psi]	22 to 25	
Connections	1" NPT	
Priming and drain plugs	3/8" GAS	

### 6.1 Suction lift

The maximum suction lift of the pump can be determined from the diagram, page 62.

**Example:**

If the suction lift is 10 ft, the length of the suction pipe must not exceed 72 ft.

## 7. Mechanical installation

### 7.1 Location

The pump is suitable for indoor and outdoor installation. It is resistant to sunlight.

Note

*For outdoor installation, the pump must be fitted with a protective cover (accessory). See section 7.5 Protective cover and 13. Accessories.*

Note

*Should the unlikely event of an internal leakage occur, pumped liquid will be drained out from the base and/or end cover instead of damaging the pump. Install the pump in such a way that no undesirable collateral damage can arise.*

### 7.2 Foundation

Mount the pump on the base plate with horizontal suction port and vertical discharge port. The pump must be installed horizontally.

The maximum permissible inclination angle is  $\pm 18^\circ$ . See fig. 2.

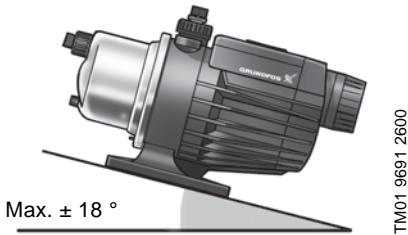


Fig. 2 Horizontal installation of the MQ

To prevent movement and vibrations, the pump and base plate can be secured to a solid foundation by means of the bolt holes in the base plate. For pipework connection, see section 7.4 Pipework.

### 7.3 Space requirement

For inspection and service, allow a minimum clearance of 60" behind the pump.

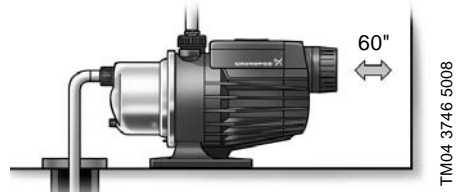


Fig. 3 Minimum clearance behind the pump

Being self-cooling, the pump requires no space or ventilation at the sides.

Note

*Ensure that the maximum ambient temperatures do not exceed the values stated in section 6. Operating conditions.*

### 7.4 Pipework

Note

*Never use unnecessary force when connecting the pipes.*

The pump is supplied with 1" NPT screwed connections. Fit the connections in the suction and discharge ports. See fig. 4. The pump discharge port is flexible,  $\pm 5^\circ$ , to facilitate the fitting.

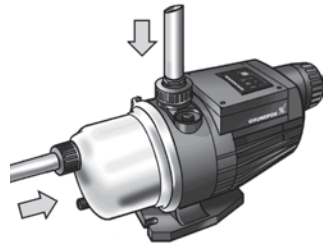
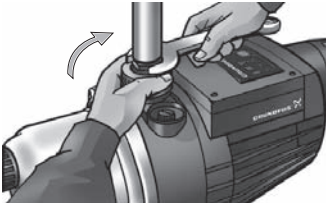


Fig. 4 Fitting of screwed connections in suction and discharge ports

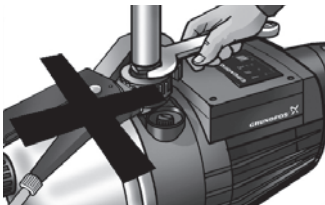


Carefully screw the discharge connection into the discharge port, using a spanner or similar tool. Hold the discharge connection, and tighten the pump discharge union nut with your hand. See fig. 5.



**Fig. 5** Correct: Tighten the discharge union nut with your hand

TM04 4271 1009

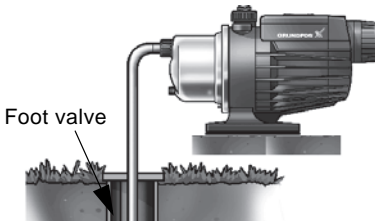


**Fig. 6** Wrong: Do **not** use a tool to tighten the discharge union nut

TM 044272 1009

#### 7.4.1 Suction pipes connected to a well

If the pump draws water from a well, we recommend to fit a foot valve to the end of the suction pipe. See fig. 7.



**Fig. 7** Suction pipes connected to a well

TM01 9693 2600

#### 7.4.2 Suction hose instead of pipe

If a suction **hose** is used instead of a pipe, the hose should not exceed the lengths stated in the graph, page 62. The suction hose must be minimum  $\varnothing 1"$ . The hose must be of the non-collapsible type.

#### 7.4.3 Long suction pipes

A separate non-return inlet valve is supplied with the pump. In case of long suction pipes, we recommend to fit the non-return inlet valve in the pump suction port. See section 7.4.4 *Fitting of the non-return inlet valve*

The pipes must be adequately supported on either side of the pump to avoid straining the pump connections.

#### 7.4.4 Fitting of the non-return inlet valve

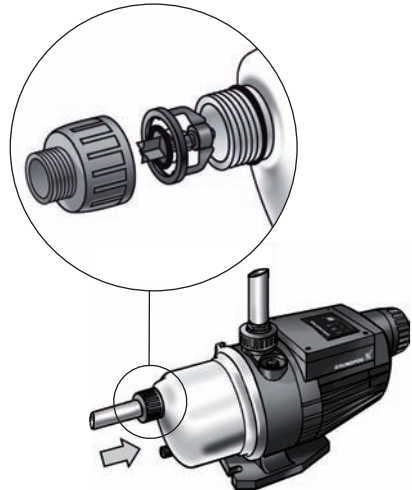
The non-return inlet valve reduces the risk of losing pump priming in negative suction applications and improves the auto-aspiration capability, for example in water supply from a cistern.

Install the non-return inlet valve as follows, see fig. 8:

1. Remove the suction connection of the pump.
2. Fit the non-return inlet valve into the suction port in the direction shown in fig. 8.
3. Refit the pump connection.

***Applications with positive inlet pressure do not require installation of the non-return inlet valve, due to the fact that the MQ pump incorporates an internal non-return valve at the discharge side.***

Note



**Fig. 8** Fitting of non-return inlet valve

TM 04 4121 0809

## 7.5 Protective cover

Note

***Failure to use the protective cover in outdoor installations will invalidate the warranty.***

The protective cover protects the control panel against the weather. It is available as an accessory. See section 13. *Accessories*.

To fit the protective cover, click the cover onto the top of the control panel so that it engages with the top cooling ribs.

To remove the cover, pull the two clips outwards, free of the cooling ribs, and pull the cover upwards.



TM04 3745 5008

**Fig. 9** Protective cover

## 8. Electrical connection

The electrical connections and additional protection should be carried out by qualified persons in accordance with local regulations.

### WARNING

**Non-submersible pump.**

*If the power cord is damaged, it must be replaced by the manufacturer, an authorized service center or by a qualified person in order to avoid risks.*

*Never make any connections in the pump terminal box unless the electricity supply has been switched off for at least 5 minutes.*

**Risk of electric shock:**

*This pump is supplied with a grounding conductor and grounding type attachment plug.*

*To reduce the risk of electric shock, install only on circuit protected by a Ground-Fault-Circuit-Interrupter (GFCI).*

*This pump is not intended, nor has it been investigated for use in swimming pool or marine areas.*

*This pump has been evaluated for use with water only.*

*Do not start the pump until it has been filled with water (primed, see fig. 12).*

*Acceptable for indoor and outdoor use.*

**Enclosure type 3.**

The operating voltage and frequency are marked on the nameplate. Make sure that the motor is suitable for the electricity supply on which it will be used.

The pump must be connected to the mains via a sheathed cable with a protective ground lead. It is possible to replace the mains supply cable. See fig. 10.

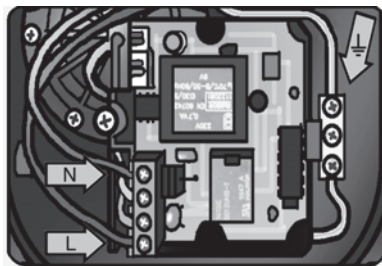


Fig. 10 Electrical connection

Connect the mains supply cable of the pump to the electricity supply. When the cable is connected, a red and a green indicator light on the control panel will be on. See fig. 11.

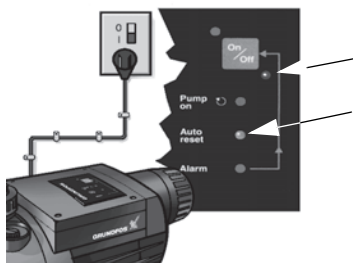


Fig. 11 Connection of mains supply cable

### 8.1 Generator or inverter

**The MQ can be powered by a generator or an inverter. However, the pump will only operate satisfactorily if the generator or inverter generates a true sinusoidal wave with the necessary power and voltage input. The generator must be sized 10 % above the P1 (input power) of the pump. For P1, see section 12.1 Dimensions.**

Note

TM01\_9694\_2600

TM01\_9695\_2600

## 8.2 Wiring diagram

### 8.2.1 115 V

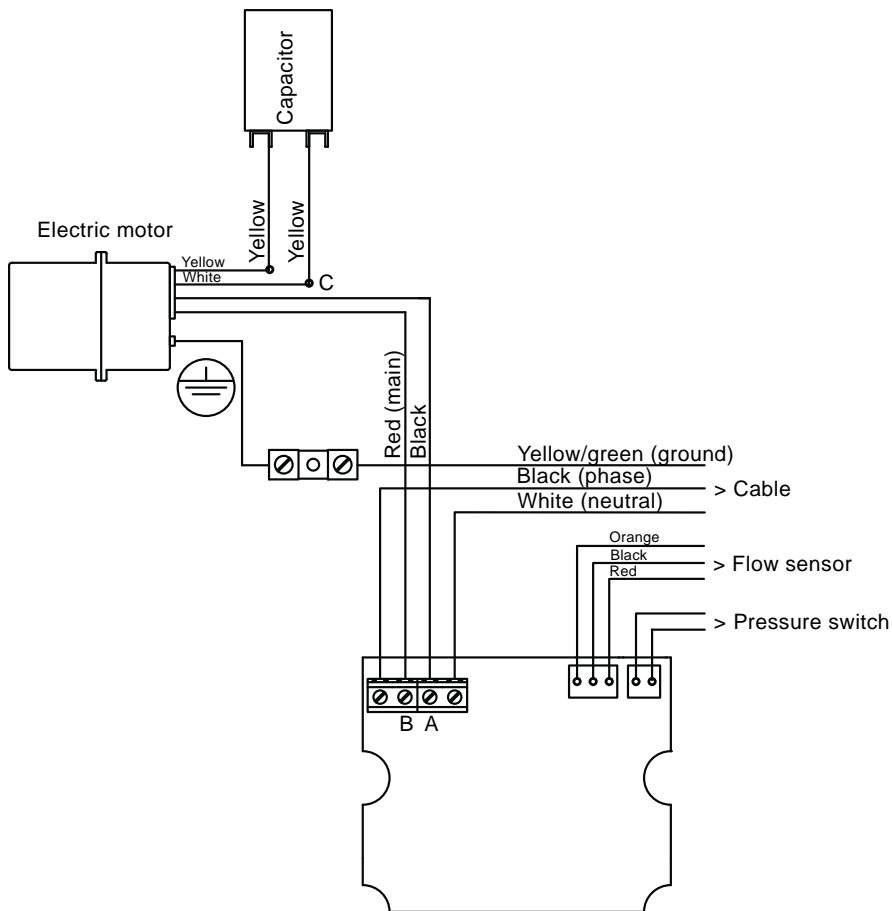


Fig. 12 Wiring diagram - 115 V

## 8.3 Winding resistance measurement

Motor [V/Hz]	Measuring point	Winding	Resistance [ $\Omega \pm 10\%$ ]	Ambient temperature	
				[°F]	[°C]
115/60	A-B (black - red)	Main	1.4	70	21
	A-C (black - white)	Aux	5.5		

The measurement can be done with or without cables connected to the PCB and the capacitor.

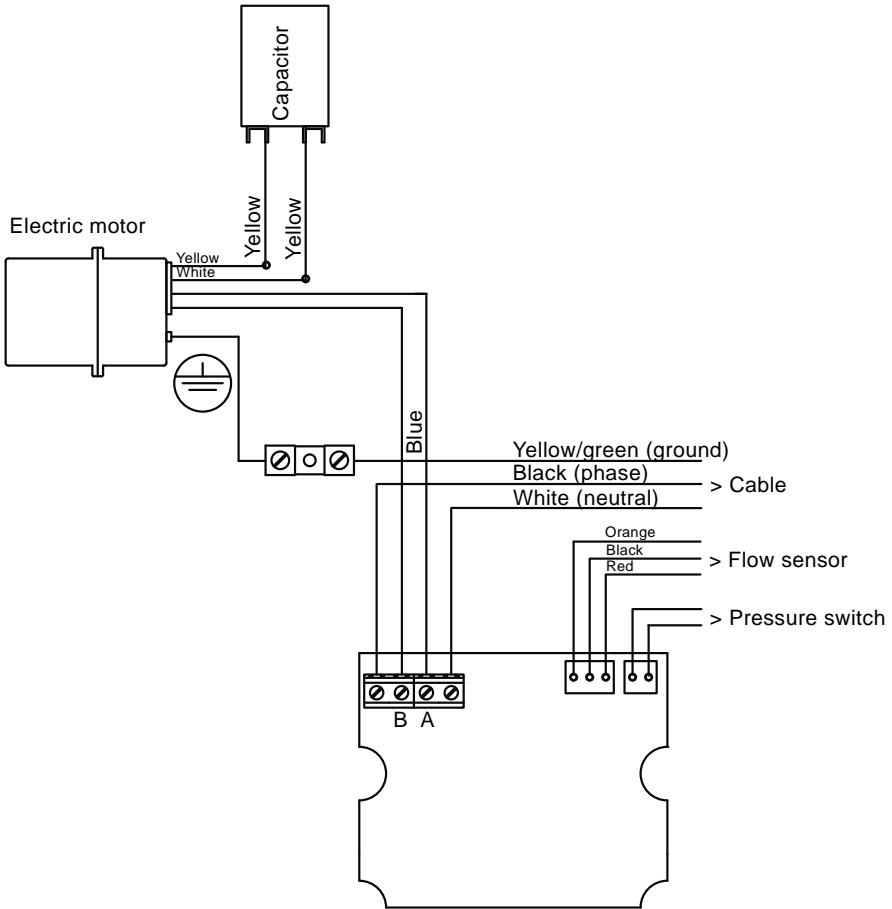


Fig. 13 Wiring diagram - 230 V

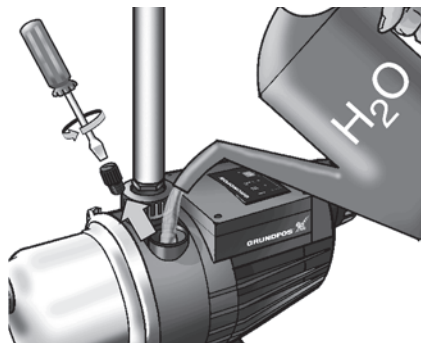
## 8.4 Winding resistance measurement

Motor [V/Hz]	Measuring point	Winding	Resistance [ $\Omega \pm 10\%$ ]	Ambient temperature	
				[°F]	[°C]
230/60	A-B (blue - red)	Main	5.4	70	21
	A-C (blue - white)	Aux	5.4		

The measurement can be done with or without cables connected to the PCB and the capacitor.

## 8.5 Start-up

Before start-up, the pump must be filled with 1.2 to 1.5 **gallons** of water to enable it to self-prime, see fig. 14. The pump is self-priming with a maximum suction lift of 25 ft.



TM01 9696 2600

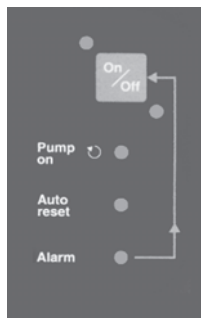
**Fig. 14** Priming the pump

When started, the pump begins to self-prime. When it has been primed, the pump will automatically change over to normal operation. If the priming has not been completed within 5 minutes, the pump will stop automatically and attempt to restart after 30 minutes. It is possible to reset the pump manually, see point 2 in the table of section 9.1 *Control panel*.

## 9. Functions

### 9.1 Control panel

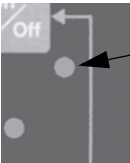
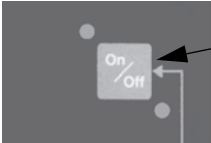
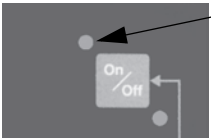
The MQ pump is operated entirely by means of the control panel. See fig. 1. The control panel offers the possibility of starting/stopping the pump. The pump settings and operating condition are indicated by indicator lights. See fig. 15.

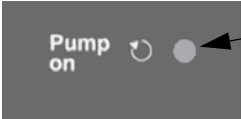

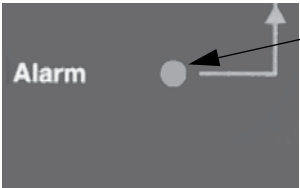


TM01 9684 2600

**Fig. 15** Control panel

The functions of the control panel are described in the table below:

Illustration	Description
1 	<b>Indicator light (red)</b> When the indicator light is on, the pump is on standby.
2 	<b>On/Off button</b> The pump is started/stopped by means of the on/off button. The on/off button can also be used for manual resetting in case of an alarm condition: <ul style="list-style-type: none"> <li>• press once for resetting and</li> <li>• press once more for starting.</li> </ul>
3 	<b>Indicator light (green)</b> Indicates that the pump is ready for operation. When the indicator light is on, the pump will start automatically when water is consumed. The pump will stop a few seconds after the water consumption has ceased.

4		<p><b>Pump on (green)</b></p> <p>The indicator light is on when the pump is running.</p>
5		<p><b>Auto reset (green)</b></p> <p>As standard, this function is activated on delivery.</p> <ul style="list-style-type: none"> <li>• When the indicator light is <b>on</b>, the auto-reset function is activated. The pump will automatically attempt to restart every 30 minutes after an alarm/fault over a period of 24 hours. After this period, the pump will remain in the alarm condition.</li> <li>• When the indicator light is <b>off</b>, the auto-reset function is deactivated. The pump will not restart after an alarm/fault.</li> </ul> <p>The auto-reset function can be activated/deactivated by pressing the on/off button for 5 seconds.</p> <p><b>Note:</b> When water is consumed, the pump will start and stop automatically, whether the auto-reset light is on or off.</p>
6		<p><b>Alarm (red)</b></p> <p>The indicator light is on when the pump is in alarm condition.</p> <p>The alarm condition may have been caused by:</p> <ul style="list-style-type: none"> <li>• dry running</li> <li>• overtemperature</li> <li>• overloaded motor</li> <li>• seized-up motor/pump.</li> </ul> <p>See section 9.2 <i>Pump stop</i>.</p>

## 9.2 Pump stop

The pump incorporates an electronic protective function that will stop the pump in case of

- dry running
- overtemperature
- overloaded motor
- seized-up motor/pump.

The pump will restart automatically after 30 minutes (for 24 hours) in case of any type of fault if the auto-reset function is activated (the green indicator light on the control panel is on, see point 5 in the table of section 9.1 *Control panel*).

***The pump settings are stored. After supply failure, the pump will automatically revert to its previous operating condition when the electricity supply is reconnected.***

**Note**



## 10. Maintenance

Under normal operating conditions, the pump is maintenance-free. However, it is recommended to keep the pump clean.

### WARNING

**Do not remove the pressure tank from the pump unless it has been vented through the air escape valve.**



**Never touch the electronics unless the pump has been switched off for at least 5 minutes.**

If there is any risk of frost damage, drain the pump through the drain hole and slacken the union nut on the discharge pipe, see fig. 16. The pump must be filled with liquid before it is started up again. See fig. 14.

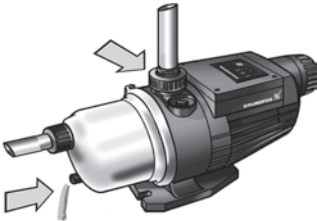


Fig. 16 Draining the pump

### 10.1 Service kits

Service kits are available for the MQ pump. The service kits consist of the following replaceable parts:

- shaft seal
- motor
- electronic units
- hydraulic components.

### 10.2 Start-up after a long period of inactivity

The end cover incorporates a plug which can be removed by means of a suitable tool. See fig. 17. It is then possible to free the pump rotor if it has seized up as a result of inactivity. If it has been drained, the pump must be filled with liquid before start-up. See fig. 14.



Fig. 17 Removing the end-cover plug

## 11. Service

***If a pump has been used for a liquid that is injurious to health or toxic, the pump will be classified as contaminated.***

Note

If Grundfos is requested to service the pump, Grundfos must be contacted with details about the pumped liquid, etc. *before* the pump is returned for service. Otherwise Grundfos can refuse to accept the pump for service. Possible costs of returning the pump are paid by the customer.

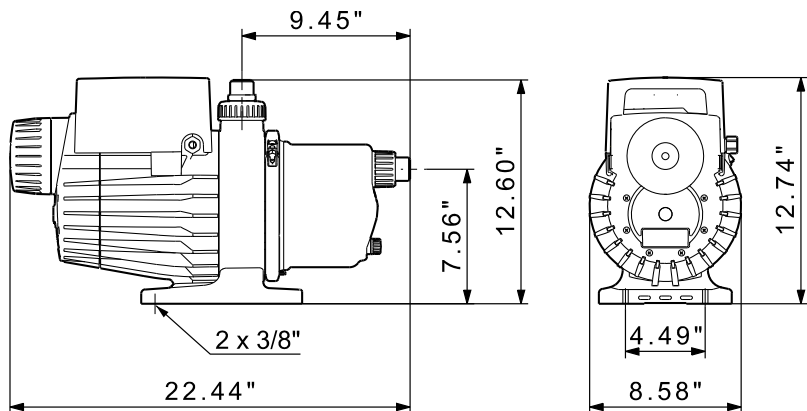
However, any application for service (no matter to whom it may be made) must include details about the pumped liquid if the pump has been used for liquids which are injurious to health or toxic.

TM01 9697 4403

TM04 3633 4608

## 12. Technical data

### 12.1 Dimensions



TM01 9799 508

### 12.2 Electrical data

		MQ 3-35	MQ 3-45
Enclosure type		3	
Enclosure class		IP 54	
Insulation class		B	
Supply cable		6.56 ft SJTW 18 awg with/without plug	
Voltage, power consumption, $P_1$ [W]	1 x 115-120 V – 10/+ 6 %, 60 Hz	900 W/8.0 A	1100 W/10.0 A
	1 x 220-240 V – 10/+ 6 %, 60 Hz	850/4.0 A	1050/4.8 A

### 12.3 Approvals

UL-listed and CSA-approved.

## 13. Accessories

Model	Designation	Product number
MQ 3-35 / MQ 3-45	Protective cover	96590745

## 14. Fault finding chart

Fault	Cause	Remedy
1. The pump does not start.	a) Insufficient water.	Check the water supply/suction pipe.
	b) Overheating due to excessive liquid temperature (above +95 °F/+35 °C).	Supply cold liquid to the pump.
	c) Overheating due to seized-up/choked-up pump.	Contact your pump supplier.
	d) Too low or too high supply voltage.	Check the supply voltage and correct the fault, if possible.
	e) No electricity supply.	Connect the electricity supply.
	f) No water consumption.	Open a tap. Check that the height between the top point of the discharge pipe and the pump does not exceed 50 ft.
	g) Shaft is blocked.	Rotate the shaft as described in 10.2
	h) Pump is in alarm condition.	Reset the pump by means of the on/off button. See point 2 in the table of section 9.1 <i>Control panel</i> .
2. The pump does not stop.	a) Existing pipework is leaking or defective.	Repair the pipework.
	b) Non-return valve is blocked or missing.	Clean the valve or fit a new non-return valve.
3. The pump cuts out during operation.	a) Dry running.	Check the water supply/suction pipe.
	b) Overheating due to excessive liquid temperature (above +95 °F/+35 °C).	Supply cold liquid to the pump.
	c) Overheating caused by: – high ambient temperature (> 113 °F/45 °C) – overloaded motor – seized-up motor/pump.	Contact your pump supplier.
	d) Too low supply voltage.	Check the supply voltage and correct the fault, if possible.
4. The pump starts and stops too frequently.	a) Leakage in suction pipe or air in water.	Check the water and the supply/suction pipe.
	b) Too low or too high pressure in pressure tank.	Check the pressure in the pressure tank. See section 6. <i>Operating conditions</i> .
5. The pump gives electric shocks.	a) Defective ground connection.	Connect the ground connection to the pump in accordance with local regulations.

<b>Fault</b>	<b>Cause</b>	<b>Remedy</b>
6. The pump starts when no water is consumed.	a) Internal non-return valve is defective, or the existing pipe-work is leaking or defective.	Clean the valve or fit a new one.

If the pump does not start when the fault has been corrected, contact your pump supplier or Grundfos for further information.

## 15. MQ frequently asked questions

### 1. What causes the MQ to start?

**Answer:** The MQ is equipped with both an internal flow switch and pressure switch. Each of these can turn the MQ on, depending on water consumption. The pump will start when:

The flow rate is greater than 0.3 gpm  
OR  
the pressure is below 29 psi.

### 2. What causes the MQ to stop?

**Answer:** Other than the manual on/off button, only the flow switch is authorized to automatically stop the MQ during normal operation when flow drops below 0.3 gpm. The pump will shut off in 12-15 seconds after flow stops. Additionally, the MQ will be turned off in the event of a dry-run or overtemperature alarm.

### 3. What is the maximum height of a tap above the MQ?

**Answer:** If a tap or faucet is installed at heights greater than 50 ft above the MQ, there is the potential risk that the MQ will never start. In cases where the MQ starts due to low pressure (low flow rates), the pressure has to fall below the pressure switch activation point (28-30 psi factory setting). To allow for the pressure of 50 ft of water, tolerances and a safety margin, we recommend a maximum height of 50 ft between the MQ and any tap.

### 4. What is the purpose of the built-in pressure tank?

**Answer:** The built-in pressure tank comes from the factory, pressurized at approximately 23 psi (with the pump pressure at zero) and holds a volume of 14 ounces of water. It is designed to minimize motor startup due to small leaks.

### 5. How is the dry-run condition determined?

**Answer:** The dry-run alarm is declared when the motor is running AND the flow rate is less than 1.6 gpm AND when pressure is less than the pressure switch setting. When this condition lasts for 12 seconds, the alarm will be declared after 1 minute, and the motor is stopped. The MQ attempts to automatically restart every 30 minutes for a maximum of 24 hours. If more than 24 hours pass without water, the pump must be restarted manually.

### 6. What is the maximum inlet pressure allowed in the MQ?

**Answer:** For both MQ 3-35 and MQ 3-45, the maximum internal pressure allowed is 109 psi. The maximum inlet pressure when added to the MQ pressure must not exceed 109 psi.

Remember that inlet pressure adds to the MQ pressure, so with a 40 psi inlet pressure supplied to the MQ 3-45, internal pressures can reach approximately 105 psi (65 + 40 psi).

Additionally, if inlet pressures exceed the built-in pressure switch activation point (28-30 psi factory setting), the pressure switch will be unable to activate, and the ability to turn the MQ on at low flow rates will be lost. In this situation, only the flow switch will be able to turn the MQ on at flow rates above its activation point of 0.3 gpm

### 7. What is the priming capacity of the MQ?

**Answer:** Approx. 1.2 gallons.

8. **How is overload temperature/overtemperature of the MQ detected?**

**Answer:** The motor has a thermal switch incorporated in the motor windings.

The switch will cut out the motor and start again. See the table below.

<b>Thermal protection</b>			
	[V]	[°F]	[°C]
Cut-out	115	302	150
	230	275	135
Cut-in	Both	151	65-67

9. **Where can a pressure gauge be easily installed to measure the discharge pressure?**

**Answer:** In the discharge piping or in 3/8" GAS straight thread opening used to add priming water to the pump.

## 16. Disposal

This product or parts of it must be disposed of in an environmentally sound way:

1. Use the public or private waste collection service.
2. If this is not possible, contact the nearest Grundfos company or service workshop.

Subject to alterations.

## ÍNDICE

	Página
<b>1. Introducción</b>	<b>23</b>
<b>2. Artículos suministrados</b>	<b>23</b>
<b>3. Símbolos utilizados en este documento</b>	<b>24</b>
<b>4. Aplicaciones</b>	<b>24</b>
4.1 Líquidos bombeados	24
<b>5. Identificación</b>	<b>25</b>
5.1 Nomenclatura	25
<b>6. Condiciones de funcionamiento</b>	<b>26</b>
6.1 Altura de succión	26
<b>7. Instalación mecánica</b>	<b>27</b>
7.1 Ubicación	27
7.2 Cimentación	27
7.3 Requisitos de espacio	27
7.4 Tuberías	27
7.5 Cubierta protectora	29
<b>8. Conexión eléctrica</b>	<b>30</b>
8.1 Generador o inversor	30
8.2 Diagrama de cableado	31
8.3 Medida de la resistencia de bobinado	31
8.4 Medida de la resistencia de bobinado	32
8.5 Puesta en marcha	33
<b>9. Funciones</b>	<b>34</b>
9.1 Panel de control	34
9.2 Paro de la bomba	36
<b>10. Mantenimiento</b>	<b>37</b>
10.1 Kits de mantenimiento	37
10.2 Puesta en marcha tras un periodo prolongado de inactividad	37
<b>11. Mantenimiento</b>	<b>37</b>
<b>12. Datos técnicos</b>	<b>38</b>
12.1 Dimensiones	38
12.2 Datos eléctricos	38
12.3 Homologaciones	38
<b>13. Accesorios</b>	<b>38</b>
<b>14. Tabla de búsqueda de averías</b>	<b>39</b>
<b>15. Preguntas frecuentes acerca de la bomba MQ</b>	<b>41</b>
<b>16. Eliminación</b>	<b>42</b>

**ADVERTENCIA**

*Antes de llevar a cabo la instalación, lea estas instrucciones de instalación y funcionamiento. La instalación y el funcionamiento de la bomba deben satisfacer los requisitos de la normativa local vigente y los códigos aceptados de buenas prácticas.*

**1. Introducción**

La bomba MQ es un sistema de suministro de agua con bajo nivel de emisión de ruidos compuesto por un motor, un recipiente a presión y un regulador, todo ello combinado en una unidad de tamaño compacto. El sistema es apto para el uso interior y exterior.

La bomba autocebante se pone automáticamente en marcha cuando se consume agua en la instalación, y se detiene cuando cesa el consumo. La válvula de retención, interna e integrada, evita el reflujo durante el cebado y el funcionamiento de la bomba.

La bomba MQ está dotada de protección contra exceso de temperatura y funcionamiento en seco, así como de un sencillo panel de control.

El recipiente a presión integrado reduce el número de arranques y paros en caso de que exista una fuga en la instalación.

**2. Artículos suministrados**

El paquete de la bomba MQ contiene los siguientes artículos:

- sistema de suministro de agua MQ con válvula de retención integrada
- válvula de retención de entrada en bolsa de plástico
- instrucciones de instalación y funcionamiento.

### 3. Símbolos utilizados en este documento



#### **ADVERTENCIA**

*Si no se respetan estas instrucciones de seguridad podrían producirse lesiones personales.*

Precaución

*Si no se respetan estas instrucciones de seguridad podrían producirse problemas o daños en el equipo.*

Nota

*Notas o instrucciones que facilitan el trabajo y garantizan un funcionamiento seguro.*

### 4. Aplicaciones

El sistema de suministro de agua MQ ha sido diseñado para cumplir los requisitos de las siguientes aplicaciones típicas.

- aumento de la presión de agua (presión máxima de entrada: 40 psi)
- suministro de agua desde pozos (altura máxima de succión: 25 ft), por ejemplo
  - en hogares privados
  - en granjas
  - en huertas y jardines grandes de otros tipos.

La bomba es apta para bombear aguas pluviales.

#### 4.1 Líquidos bombeados

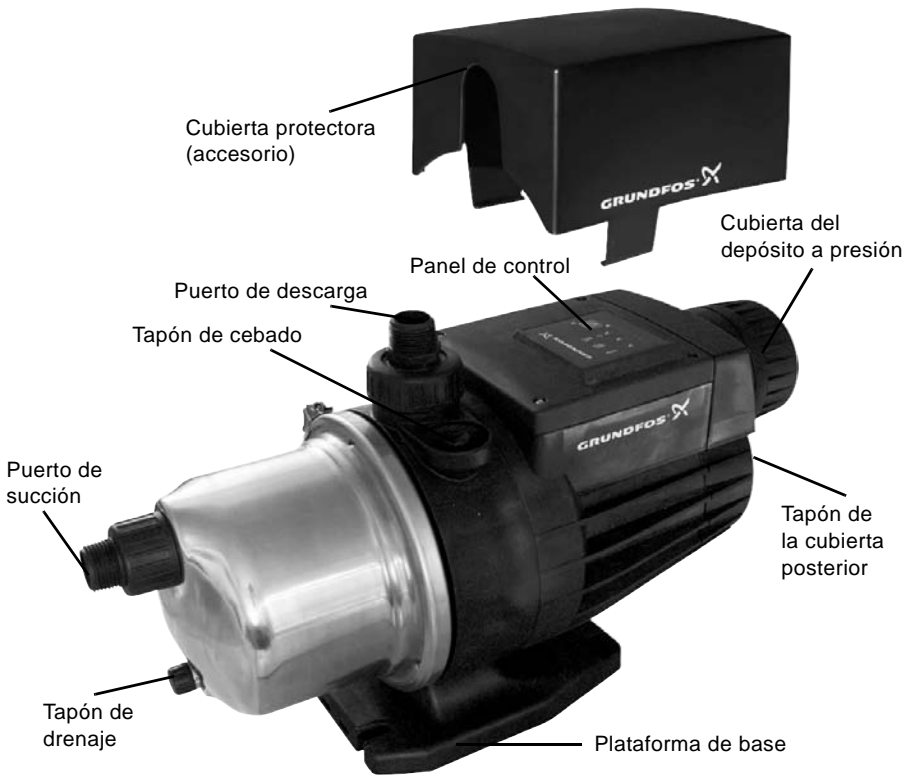
Líquidos de baja densidad, no agresivos, que no contengan partículas o fibras sólidas.



## 5. Identificación

### 5.1 Nomenclatura

Ejemplo	MQ	3	-35	A	-O	-A	BVBP
Tipo de bomba							
Caudal nominal [m <sup>3</sup> /h]							
Altura [m]							
Código de versión de la bomba							
A: Estándar							
Código de conexión a tubería							
Código de materiales							
A: Estándar							
Código del sello de flecha							



**Fig. 1** Sistema de suministro de agua MQ. Se requiere una cubierta protectora para el uso en exteriores

## 6. Condiciones de funcionamiento

	MQ 3-35	MQ 3-45
Caudal máximo [gpm]	22	
Presión máxima [psi]	51	65
Presión máxima del sistema [psi]	108	
Altura máxima de succión [ft]; consulte la página 49	25	
Temperatura ambiente mínima [°F]/[°C]	32/0	
Temperatura ambiente máxima [°F]/[°C]	113/45	
Temperatura mínima del líquido [°F]/[°C]	32/0	
Temperatura máxima del líquido [°F]/[°C]	95/35	
Peso neto [lbs]	29	
Nivel de presión sonora [dB(A)]	< 70	
Volumen del depósito [oz]	13,5	
Presión de aire en el depósito [psi]	22 a 25	
Conexiones	1" NPT	
Tapones de cebado y drenaje	GAS de 3/8"	

### 6.1 Altura de succión

La altura máxima de succión de la bomba se puede determinar haciendo uso del gráfico que se encuentra en la página 49.

#### Ejemplo:

Si la altura de succión es de 10 ft, la longitud del tubo de succión no deberá superar los 72 ft.

## 7. Instalación mecánica

### 7.1 Ubicación

La bomba es apta para su instalación en entornos interiores y exteriores. Resiste la luz solar directa.

Nota

**Si desea instalar la bomba en un entorno exterior, deberá equiparla con una cubierta protectora (accesorio). Consulte las secciones 7.5 Cubierta protectora y 13. Accesorios.**

Nota

**En el caso improbable de que se produzca una fuga interna, el líquido bombeado se drenará de la base y/o la cubierta posterior para evitar que la bomba resulte dañada. Instale la bomba de tal modo que no puedan surgir daños colaterales no deseados.**

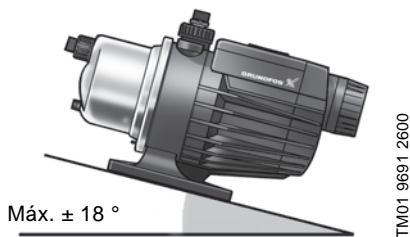
### 7.2 Cimentación

Monte la bomba sobre la plataforma de base con el puerto de succión en posición horizontal y el puerto de descarga en posición vertical.

La bomba debe instalarse en posición horizontal.

El ángulo máximo de inclinación admisible es de  $\pm 18^\circ$ .

Consulte la fig. 2.

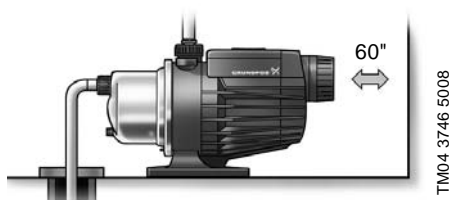


**Fig. 2** Instalación horizontal de la bomba MQ

A fin de evitar movimientos y vibraciones, la bomba y la plataforma de base pueden fijarse a un cimiento sólido por medio de los orificios de sujeción de la base. Si desea obtener más información acerca de la conexión de la bomba al sistema de tuberías, consulte la sección 7.4 Tuberías.

### 7.3 Requisitos de espacio

A fin de permitir la realización de operaciones de inspección y mantenimiento, debe mantenerse un espacio mínimo de 60" tras la bomba.



**Fig. 3** Espacio mínimo tras la bomba

Al disponer de un sistema de autorrefrigeración, la bomba no requiere espacio ni ventilación en los laterales.

Nota

**Asegúrese de que las temperaturas ambiente máximas no superan los valores indicados en la sección 6. Condiciones de funcionamiento.**

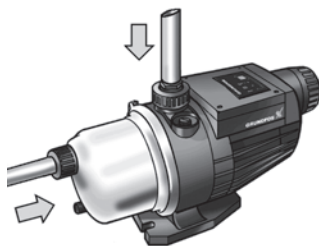
### 7.4 Tuberías

Nota

**No aplique demasiada fuerza durante la conexión a las tuberías.**

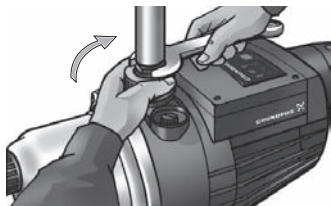
La bomba cuenta con conexiones roscadas de 1" NPT. Realice las conexiones en los puertos de succión y descarga. Consulte la fig. 4.

El puerto de descarga de la bomba es flexible ( $\pm 5^\circ$ ), lo cual facilita la conexión.



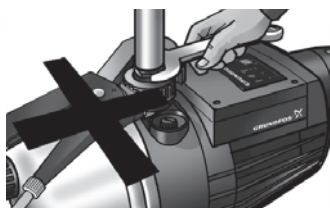
**Fig. 4** Instalación de las conexiones roscadas en los puertos de succión y descarga

Enrosque con cuidado la conexión de descarga en el puerto de descarga utilizando una llave fija o herramienta similar. Sostenga la conexión de descarga y apriete la tuerca de unión de descarga de la bomba con la mano. Consulte la fig. 5.



**Fig. 5** Correcto: Apriete la tuerca de unión de descarga con la mano

TM04 4271 1009

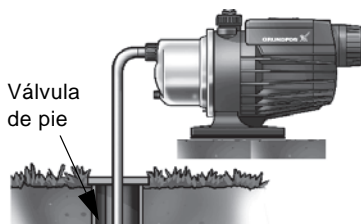


**Fig. 6** Incorrecto: **No** utilice una herramienta para apretar la tuerca de unión de descarga

TM 044272 1009

#### 7.4.1 Tubos de succión conectados a un pozo

Si la bomba extrae agua de un pozo, se recomienda instalar una válvula de pie en el extremo del tubo de succión. Consulte la fig. 7.



**Fig. 7** Tubos de succión conectados a un pozo

TM01 9693 2600

#### 7.4.2 Uso de una manguera de succión en lugar de un tubo

Si se utiliza una **manguera** de succión en lugar de un tubo, la manguera no deberá superar las longitudes indicadas en el gráfico de la página 49. La manguera de succión debe tener un diámetro mínimo de  $\text{Ø}1''$ . La manguera debe ser de tipo no plegable.

#### 7.4.3 Tubos de succión largos

La bomba incluye una válvula de retención de entrada independiente. Si se utilizan tubos de succión de gran longitud, se recomienda instalar la válvula de retención de entrada en el puerto de succión de la bomba. Consulte la sección **7.4.4 Instalación de la válvula de retención de entrada**

Los tubos deben apoyarse debidamente a cualquier lado de la bomba para evitar forzar sus conexiones.

#### 7.4.4 Instalación de la válvula de retención de entrada

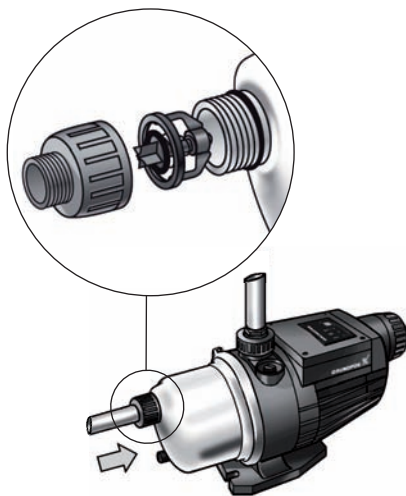
La válvula de retención de entrada reduce el riesgo de pérdidas de cebado de la bomba en aplicaciones de succión negativa y mejora la capacidad de autosucción, por ejemplo al suministrar agua desde una cisterna.

Instale la válvula de retención de entrada de la siguiente manera, consulte la fig. 8:

1. Retire la conexión de succión de la bomba.
2. Instale la válvula de retención de entrada en el puerto de succión, en la dirección que se indica en la fig. 8.
3. Vuelva a instalar la conexión de la bomba.

**Las aplicaciones con presión de entrada positiva no requieren la instalación de una válvula retención de entrada debido al hecho de que la bomba MQ incorpora una válvula de retención interna en el lado de descarga.**

Nota



**Fig. 8** Instalación de una válvula de retención de entrada

TM 04 4121 0809

#### 7.5 Cubierta protectora

Nota

**La garantía quedará invalidada si no se usa la cubierta protectora en una instalación exterior.**

La cubierta protectora protege el panel de control contra las inclemencias climatológicas. Se encuentra disponible como accesorio. Consulte la sección 13. *Accesorios*.

Para instalar la cubierta protectora, encájela en la parte superior del panel de control de modo que quede sujeta por los bordes disipadores.

Para quitar la cubierta, tire de las dos sujeciones hacia fuera, sepárela de los bordes disipadores y tire de ella hacia arriba.



**Fig. 9** Cubierta protectora

TM04 3745 5008

## 8. Conexión eléctrica

Las conexiones eléctricas y la instalación de protecciones adicionales deben ser llevadas a cabo por personas debidamente cualificadas de acuerdo con las normas locales.

### ADVERTENCIA

**Esta bomba no es sumergible.**

**Si el cordón de alimentación es dañado, éste debe sustituirse por el fabricante, por su agente de servicio autorizado o por personal calificado con el fin de evitar un peligro.**

**No realice ninguna conexión en el cuadro de terminales a menos que se haya mantenido desconectada la fuente de alimentación eléctrica durante al menos 5 minutos.**

**Riesgo de descarga eléctrica:**

**Esta bomba está equipada con un conductor de masa y un enchufe con conexión a masa. A fin de reducir el riesgo de descarga eléctrica, realice la instalación únicamente en circuitos protegidos por un interruptor de circuito de fallos de conexión a tierra (GFCI).**

**Esta bomba no está destinada al uso en piscinas o áreas marítimas ni ha sido desarrollada para ello.**

**Esta bomba ha sido evaluada para su uso exclusivo con agua.**

**No ponga la bomba en marcha hasta que se haya llenado de agua (cebado, consulte la fig. 12).**

**Apta para uso interior y exterior.**

**Categoría de aislamiento 3.**

El voltaje y la frecuencia de funcionamiento se encuentran marcados en la placa de características. Asegúrese de que el motor sea apto para la fuente de alimentación eléctrica a la que va a conectarse.

La bomba debe conectarse a la red eléctrica por medio de un cable apantallado con conductor protector de masa. Es posible sustituir el cable de alimentación. Consulte la fig. 10.

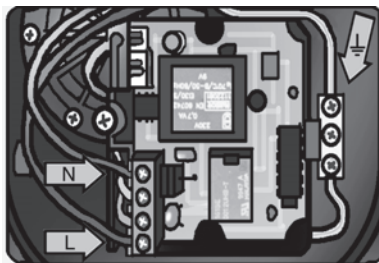


Fig. 10 Conexión eléctrica

Conecte el cable de alimentación de la bomba a la fuente de alimentación eléctrica. Al conectar el cable se iluminarán dos indicadores en el panel de control, uno en color rojo y otro en color verde.

Consulte la fig. 11.

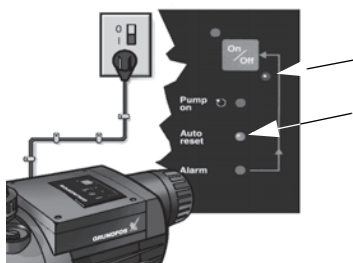


Fig. 11 Conexión del cable de alimentación eléctrica

### 8.1 Generador o inversor

**La bomba MQ se puede alimentar utilizando un generador o un inversor. No obstante, la bomba sólo funcionará satisfactoriamente si el generador o inversor genera una onda perfectamente sinusoidal con la entrada necesaria de potencia y voltaje. El generador debe dimensionarse superando en un 10 % el valor P1 (entrada de potencia) de la bomba. Si desea conocer el valor de P1, consulte la sección 12.1 Dimensiones.**

Nota

## 8.2 Diagrama de cableado

### 8.2.1 115 V

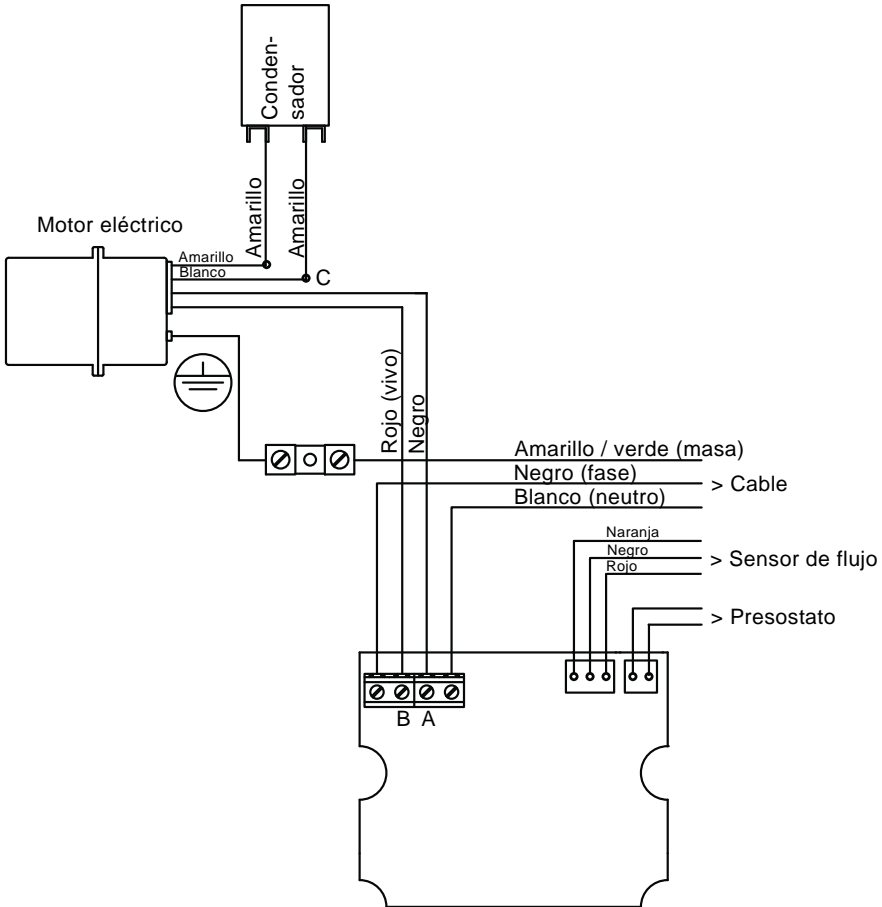


Fig. 12 Diagrama de cableado - 115 V

### 8.3 Medida de la resistencia de bobinado

Motor [V/Hz]	Punto de medida	Bobinado	Resistencia [ $\Omega \pm 10\%$ ]	Temperatura ambiente	
				[°F]	[°C]
115/60	A-B (negro - rojo)	Principal	1,4	70	21
	A-C (negro - blanco)	Auxiliar	5,5		

La medida puede realizarse con o sin los cables conectados a la placa PCB y el condensador.

## 8.3.1 230 V

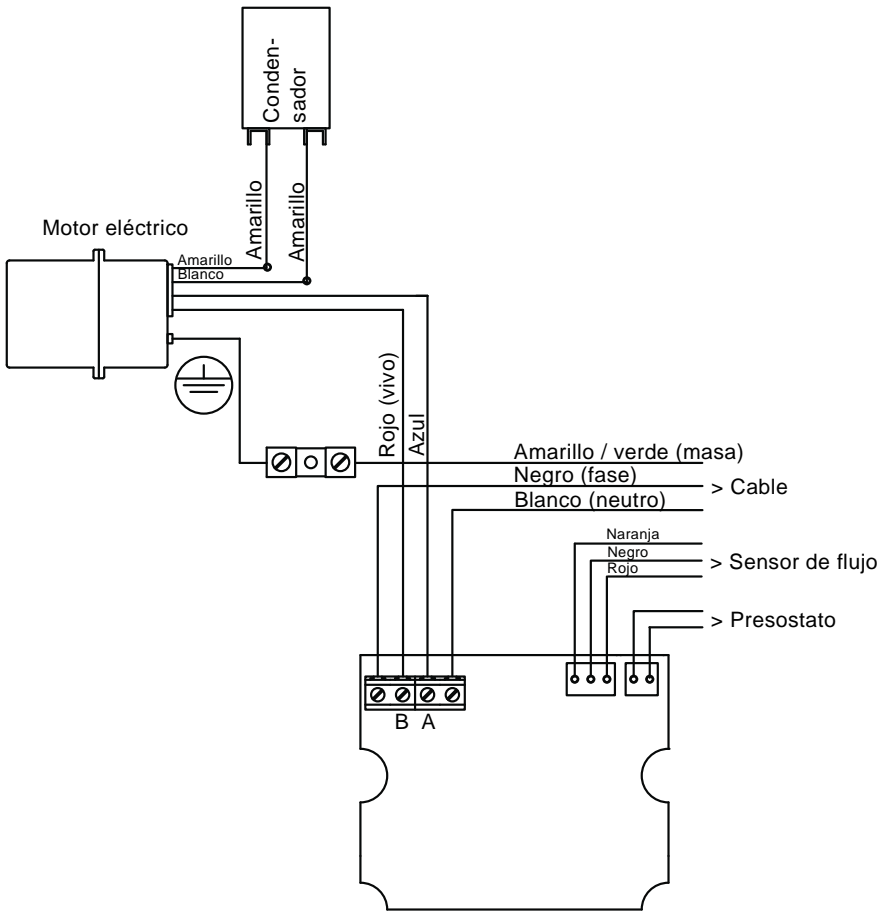


Fig. 13 Diagrama de cableado - 230 V

## 8.4 Medida de la resistencia de bobinado

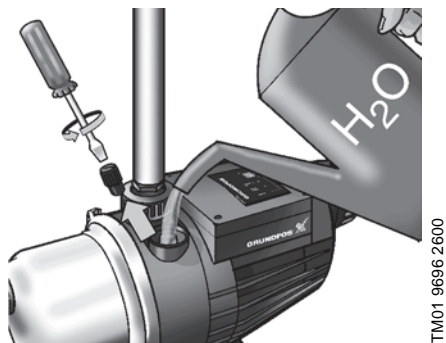
Motor [V/Hz]	Punto de medida	Bobinado	Resistencia [ $\Omega \pm 10\%$ ]	Temperatura ambiente	
				[°F]	[°C]
230/60	A-B (azul - rojo)	Principal	5,4	70	21
	A-C (azul - blanco)	Auxiliar	5,4		

La medida puede realizarse con o sin los cables conectados a la placa PCB y el condensador.



## 8.5 Puesta en marcha

Antes de su puesta en marcha, la bomba debe llenarse con entre 1,2 y 1,5 **galones** de agua para permitir que se ceba. Consulte la fig. 14. La bomba cuenta con una función de autocebado con una altura de succión máxima de 25 ft.



**Fig. 14** Cebado la bomba

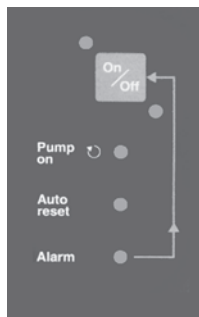
Una vez puesta en marcha, la bomba comenzará a autocebarse. Tras la fase de cebado, la bomba pasará automáticamente al modo de funcionamiento normal. Si la fase de cebado no finaliza antes de 5 minutos, la bomba se detendrá automáticamente e intentará volver a ponerse en marcha después de 30 minutos. Es posible restablecer la bomba manualmente. Para ello, siga los pasos descritos en el punto 2 de la tabla de la sección 9.1 *Panel de control*.

## 9. Funciones

### 9.1 Panel de control

La bomba MQ se controla íntegramente a través del panel de control. Consulte la fig. 1.

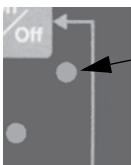
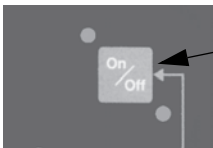
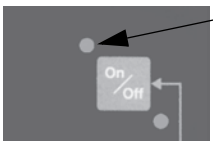
El panel de control ofrece la posibilidad de poner en marcha / detener la bomba. La configuración de la bomba y sus condiciones de mantenimiento pueden conocerse por medio de los indicadores luminosos. Consulte la fig. 15.

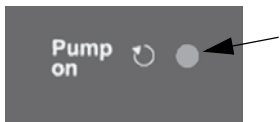


TM01 9684 2600

**Fig. 15** Panel de control

Las funciones del panel de control se describen en la tabla siguiente:

Ilustración	Descripción
<p>1</p> 	<p><b>Indicador luminoso (rojo)</b></p> <p>Si el indicador luminoso se encuentra encendido, indica que la bomba está en estado de reposo.</p>
<p>2</p> 	<p><b>Botón de encendido / apagado</b></p> <p>La bomba se pone en marcha / detiene por medio del botón de encendido / apagado.</p> <p>El botón de encendido / apagado también se puede usar para restablecer manualmente la bomba en caso de que se genere una situación de alarma:</p> <ul style="list-style-type: none"> <li>• púlselo una vez para restablecer la bomba, y púlselo de nuevo para ponerla en marcha.</li> </ul>
<p>3</p> 	<p><b>Indicador luminoso (verde)</b></p> <p>Indica que la bomba se encuentra preparada para funcionar.</p> <p>Si el indicador luminoso se encuentra encendido, indica que la bomba se pondrá automáticamente en marcha si se consume agua. La bomba se detendrá unos segundos después de que cese el consumo de agua.</p>

4 **Bomba encendida (verde)**

El indicador luminoso se activa cuando la bomba se encuentra en funcionamiento.

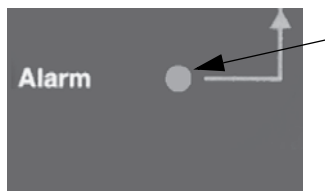
5 **Restablecimiento automático (verde)**

De forma predeterminada, esta función se encuentra activada.

- Si el indicador luminoso se encuentra **encendido**, indica que la función de restablecimiento automático está activada. La bomba intentará volver a ponerse en marcha automáticamente cada 30 minutos después de una alarma / avería durante un periodo de 24 horas. Una vez transcurrido dicho periodo, la bomba permanecerá en estado de alarma.
- Si el indicador luminoso se encuentra **apagado**, indica que la función de restablecimiento automático está desactivada. La bomba no volverá a ponerse en marcha después de una alarma / avería.

La función de restablecimiento automático puede activarse / desactivarse manteniendo el botón de encendido / apagado durante 5 segundos.

**Nota:** Durante el consumo de agua, la bomba se pone en marcha y se detiene automáticamente, independientemente de si el indicador luminoso de restablecimiento automático se encuentra encendido o apagado.

6 **Alarma (rojo)**

El indicador luminoso se enciende si la bomba se encuentra en estado de alarma.

El estado de alarma podría haber sido provocado por:

- funcionamiento en seco
- exceso de temperatura
- motor sobrecargado
- motor / bomba agarrotados.

Consulte la sección 9.2 *Paro de la bomba*.

## 9.2 Paro de la bomba

La bomba está equipada con una función de protección que provoca que la bomba se detenga en caso de

- funcionamiento en seco
- exceso de temperatura
- motor sobrecargado
- motor / bomba agarrotados.

La bomba volverá a ponerse en marcha automáticamente después de 30 minutos (durante 24 horas) si se produce cualquier tipo de avería y la función de restablecimiento automático está activada (el indicador luminoso de color verde del panel de control debe encontrarse activado, consulte el punto 5 de la tabla de la sección 9.1 *Panel de control*).

***La configuración de la bomba se almacena. Tras una falla en el suministro eléctrico, la bomba recupera automáticamente su anterior estado de funcionamiento al restaurarlo.***

Nota

## 10. Mantenimiento

En condiciones de funcionamiento normales, la bomba no precisa mantenimiento. No obstante, se recomienda mantener la bomba limpia.

### ADVERTENCIA

**No retire el depósito a presión de la bomba a menos que se haya ventilado a través de la válvula de escape de aire.**



**No toque los componentes electrónicos a menos que la bomba se haya mantenido desconectada durante, al menos, 5 minutos.**

Si existe riesgo de daños por congelación, drene la bomba a través del orificio de drenaje y afloje la tuerca de unión del tubo de descarga. Consulte la fig. 16. La bomba debe llenarse de líquido antes de arrancarla de nuevo. Consulte la fig. 14.

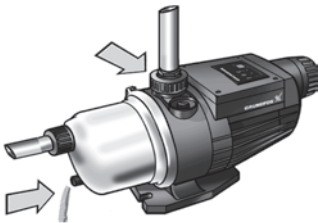


Fig. 16 Drenaje de la bomba

### 10.1 Kits de mantenimiento

Existen kits de mantenimiento disponibles para la bomba MQ. Los kits de servicio se componen de los siguientes componentes sustituibles:

- sello de flecha
- motor
- unidades electrónicas
- componentes hidráulicos.

### 10.2 Puesta en marcha tras un periodo prolongado de inactividad

La cubierta posterior incorpora un tapón que se puede retirar utilizando la herramienta adecuada. Consulte la fig. 17. Ello permite liberar el rotor de la bomba si se encuentra agarrotado como resultado de un periodo de inactividad. Si ha sido drenada, la bomba deberá llenarse de líquido antes de ponerla en marcha. Consulte la fig. 14.



Fig. 17 Retirar el tapón de la cubierta posterior

## 11. Mantenimiento

**Si una bomba se utiliza para bombear líquidos perjudiciales para la salud o tóxicos, se clasificará como contaminada.**

Nota

Si se solicita a Grundfos la inspección de la bomba, deberán enviarse los detalles relacionados con el líquido bombeado, etc. *antes* de enviar la bomba para su inspección. De lo contrario, Grundfos podría rechazar la inspección de la bomba.

Los posibles gastos de devolución de la bomba correrán por cuenta del cliente.

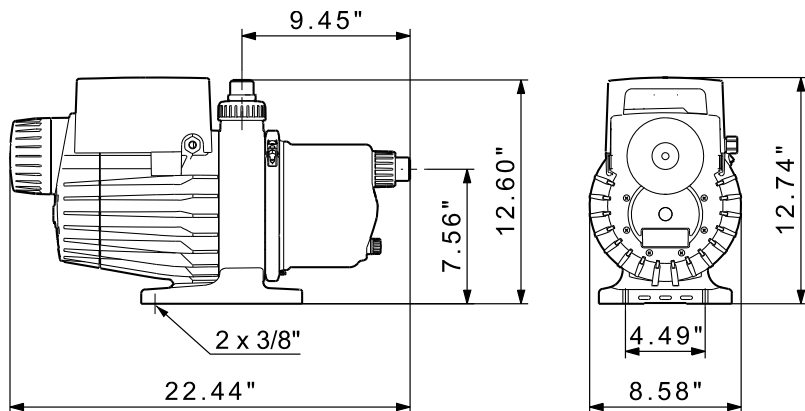
No obstante, todas las solicitudes de reparación (independientemente de a quién vayan dirigidas) deberán incluir los detalles acerca del líquido bombeado si la bomba se ha utilizado con líquidos perjudiciales para la salud o tóxicos.

TM04 3633 4608

TM01 9697 4403

## 12. Datos técnicos

### 12.1 Dimensiones



TM01 9799 508

### 12.2 Datos eléctricos

		MQ 3-35	MQ 3-45
Tipo de protección		3	
Categoría de protección		IP 54	
Categoría de aislamiento		B	
Cable de suministro eléctrico		6.56 ft SJTW 18 awg con/ sin enchufe	
Voltaje, consumo de potencia, $P_1$ [W]	1 x 115-120 V – 10/+ 6 %, 60 Hz	900 W / 8,0 A	1100 W / 10,0 A
	1 x 220-240 V – 10/+ 6 %, 60 Hz	850 / 4,0 A	1050 / 4,8 A

### 12.3 Homologaciones

Homologaciones UL y CSA.

## 13. Accesorios

Modelo	Designación	Número de producto
MQ 3-35 / MQ 3-45	Cubierta protectora	96590745

## 14. Tabla de búsqueda de averías

Avería	Causa	Solución
1. No se puede poner en marcha la bomba.	a) No hay agua suficiente.	Compruebe el suministro de agua / tubo de succión.
	b) Se ha producido un sobrecalentamiento debido a que la temperatura del líquido es excesiva (superior a +95 °F / +35 °C).	Suministre líquido frío a la bomba.
	c) Se ha producido un sobrecalentamiento debido a un agarrotamiento / estrangulamiento de la bomba.	Póngase en contacto con el proveedor de la bomba.
	d) El voltaje de suministro es demasiado alto o demasiado bajo.	Compruebe el voltaje de suministro y corrija la avería, si es posible.
	e) La bomba no recibe suministro eléctrico.	Conecte el suministro eléctrico.
	f) No se consume agua.	Abra un grifo. Compruebe que la separación entre el punto superior del tubo de descarga y la bomba no sea superior a 50 ft.
	g) El eje está bloqueado.	Gire el eje según lo descrito en la sección 10.2
	h) La bomba se encuentra en estado de alarma.	Restablezca la bomba utilizando el botón de encendido / apagado. Consulte el punto 2 de la tabla de la sección 9.1 <i>Panel de control</i> .
2. La bomba no se detiene.	a) Existe una fuga en el sistema de tuberías o éste no está bien instalado.	Repare el sistema de tuberías.
	b) La válvula de retención está bloqueada o no se encuentra instalada.	Limpie la válvula o instale una válvula de retención nueva.
3. La bomba se detiene durante el funcionamiento.	a) La bomba está funcionando en seco.	Compruebe el suministro de agua / tubo de succión.
	b) Se ha producido un sobrecalentamiento debido a que la temperatura del líquido es excesiva (superior a +95 °F / +35 °C).	Suministre líquido frío a la bomba.
	c) Se ha producido un sobrecalentamiento provocado por: <ul style="list-style-type: none"> <li>– una alta temperatura ambiental (&gt; 113 °F/45 °C)</li> <li>– una sobrecarga del motor</li> <li>– un agarrotamiento del motor / bomba.</li> </ul>	Póngase en contacto con el proveedor de la bomba.
	d) El voltaje de suministro es demasiado bajo.	Compruebe el voltaje de suministro y corrija la avería, si es posible.

<b>Avería</b>	<b>Causa</b>	<b>Solución</b>
4. La bomba se pone en marcha y se detiene con demasiada frecuencia.	a) Existe una fuga en el tubo de succión o aire en el agua.	Compruebe el agua y el tubo de suministro / succión.
	b) La presión del depósito a presión es demasiado alta o demasiado baja.	Compruebe la presión del depósito a presión. Consulte la sección 6. <i>Condiciones de funcionamiento.</i>
5. La bomba transmite descargas eléctricas.	a) La conexión a tierra se ha realizado de forma incorrecta.	Conecte la conexión a tierra de la bomba de acuerdo con los reglamentos locales.
6. La bomba se pone en marcha aunque no se consume agua.	a) La válvula de retención interna está defectuosa o el sistema de tuberías presenta fugas o está defectuoso.	Limpie la válvula o instale una nueva.

Si la bomba no se pone en marcha una vez corregida la avería, póngase en contacto con el proveedor de la bomba o con Grundfos para obtener más información.



## 15. Preguntas frecuentes acerca de la bomba MQ

1. ¿Qué provoca que la bomba MQ se ponga en marcha?

**Respuesta:** La bomba MQ está equipada con un interruptor de caudal interno y un presostato. Ambos pueden poner en marcha la bomba MQ dependiendo del consumo de agua. La bomba se pondrá en marcha si:

El caudal es superior a 0,3 gpm

O

la presión es inferior a 29 psi.

2. ¿Qué provoca que la bomba MQ se detenga?

**Respuesta:** Además del uso del botón de encendido / apagado manual, únicamente el interruptor de caudal está autorizado a detener automáticamente la bomba MQ durante su funcionamiento normal si el caudal cae por debajo de 0,3 gpm. La bomba se detiene entre 12 y 15 segundos después de que el caudal se detenga. Por otra parte, la bomba MQ se detiene también en caso de funcionamiento en seco o si se activa una alarma de exceso de temperatura.

3. ¿Cuál es la altura máxima de un grifo situado por encima de la bomba MQ?

**Respuesta:** Si se instala un grifo o espita a una altura superior a 50 ft por encima de la bomba MQ, existirá el posible riesgo de que la bomba MQ no se ponga nunca en marcha. Si la bomba MQ se pone en marcha debido a un nivel bajo de presión (caudales reducidos), la presión deberá caer por debajo del punto de activación del presostato (entre 28 y 30 psi de forma predefinida). A fin de poder utilizar la bomba con una presión de agua de 50 ft manteniendo las tolerancias y un cierto margen de seguridad, se recomienda aplicar un límite máximo de altura de 50 ft entre la bomba MQ y cualquier grifo.

4. ¿Cuál es la finalidad del depósito a presión integrado?

**Respuesta:** El depósito a presión integrado viene presurizado de fábrica a, aproximadamente, 23 psi (con la presión de la bomba a cero) y contiene un volumen de 14 onzas de agua. Ha sido diseñado para minimizar la puesta en marcha del motor provocada por pequeñas fugas.

5. ¿Cómo se determina el estado de funcionamiento en seco?

**Respuesta:** La alarma de funcionamiento en seco se activa cuando el motor se encuentra en funcionamiento, el caudal es inferior a 1,6 gpm Y la presión es inferior a aquella configurada en el presostato. Si dicha condición perdura durante 12 segundos, la alarma se activa una vez transcurrido 1 minuto y el motor se detiene. La bomba MQ intentará volver a ponerse en marcha automáticamente cada 30 minutos durante un periodo de 24 horas. Si transcurren más de 24 horas sin que penetre agua en la bomba, la bomba deberá volver a ponerse en marcha manualmente.

6. **¿Cuál es la presión máxima de entrada admisible en la bomba MQ?**

**Respuesta:** Tanto en el caso de la bomba MQ 3-35 como en el de la bomba MQ 3-45, la presión interna máxima admisible es de 109 psi. La presión máxima de entrada sumada a la presión de la bomba MQ no debe superar los 109 psi.

Recuerde que la presión de entrada debe sumarse a la presión de la bomba MQ, por lo que si se aplica una presión de entrada de 40 psi a la bomba MQ 3-45, podrían alcanzarse presiones internas de aproximadamente 105 psi (65 + 40 psi).

Por otra parte, si las presiones de entrada superan la presión del punto de activación del presostato integrado (entre 28 y 30 psi de forma predeterminada), el presostato no se podrá activar y se perderá la capacidad de poner en marcha la bomba MQ con niveles reducidos de caudal. En tal situación, sólo el interruptor de caudal podrá poner en marcha la bomba MQ con niveles reducidos de caudal por encima de su punto de activación, de 0,3 gpm.

7. **¿Cuál es la capacidad de cebado de la bomba MQ?**

**Respuesta:** Aprox. 1,2 galones.

8. **¿Cómo se detecta la temperatura de sobre carga / exceso de temperatura en la bomba MQ?**

**Respuesta:** El motor cuenta con un interruptor térmico incorporado en el bobinado. El interruptor detiene el motor y lo pone en marcha de nuevo. Consulte la tabla siguiente.

**Protección térmica**

	[V]	[°F]	[°C]
Des-activación	115	302	150
Activación	230	275	135
Activación	Ambos	151	65-67

9. **¿Dónde es más sencillo instalar un manómetro para medir la presión de descarga?**

**Respuesta:** En la tubería de descarga o en el orificio de rosca recta GAS de 3/8" que se utiliza para agregar agua de cebado a la bomba.

**16. Eliminación**

La eliminación de este producto o las piezas que lo componen debe realizarse de forma respetuosa con el medio ambiente:

1. Solicite ayuda a un servicio de recogida de residuos público o privado.
2. Si esto no fuera posible, póngase en contacto con la delegación u oficina de asistencia de Grundfos más cercana.

Sujeto a modificaciones.

## SOMMAIRE

	<b>Page</b>
<b>1. Introduction</b>	<b>43</b>
<b>2. Composants fournis</b>	<b>43</b>
<b>3. Symboles utilisés dans ce document</b>	<b>44</b>
<b>4. Applications</b>	<b>44</b>
4.1 Liquides pompés	44
<b>5. Identification</b>	<b>45</b>
5.1 Désignation	45
<b>6. Conditions de fonctionnement</b>	<b>46</b>
6.1 Hauteur d'aspiration	46
<b>7. Installation mécanique</b>	<b>47</b>
7.1 Lieu d'installation	47
7.2 Base	47
7.3 Dégagement requis	47
7.4 Tuyauterie	47
7.5 Couvercle de protection	49
<b>8. Branchement électrique</b>	<b>50</b>
8.1 Générateur ou inverseur	50
8.2 Schéma de câblage	51
8.3 Mesure résistance d'enroulement	51
8.4 Mesure de la résistance d'enroulement	52
8.5 Démarrage	53
<b>9. Fonctions</b>	<b>54</b>
9.1 Panneau de commande	54
9.2 Arrêt de la pompe	55
<b>10. Maintenance</b>	<b>56</b>
10.1 Kits de service	56
10.2 Démarrage après une longue période d'inactivité	56
<b>11. Service</b>	<b>56</b>
<b>12. Caractéristiques techniques</b>	<b>57</b>
12.1 Dimensions	57
12.2 Caractéristiques électriques	57
12.3 Approbations	57
<b>13. Accessoires</b>	<b>57</b>
<b>14. Tableau de recherche de défauts</b>	<b>58</b>
<b>15. Questions fréquemment posées concernant la pompe MQ</b>	<b>60</b>
<b>16. Mise au rebut</b>	<b>61</b>

## 1. Introduction

Le groupe MQ est un système d'alimentation d'eau à faible sonorité composé d'une pompe, d'un moteur, d'un réservoir sous pression et d'un système de commande combinés dans une unité compacte. La pompe est conçue pour une utilisation en intérieur et en extérieur.

La pompe auto-amorçante démarre automatiquement quand l'eau est consommée dans l'installation et s'arrête dès que la consommation cesse. Le clapet anti-retour interne intégré empêche le refoulement pendant l'auto-amorçage et le fonctionnement.

La pompe MQ est équipée d'une protection contre la surchauffe et la marche à sec ainsi que d'un panneau de commande facile à utiliser.

Le réservoir sous pression intégré réduit le nombre de démarrages et d'arrêts, en cas de fuites dans l'installation.

## 2. Composants fournis

Le colis du MQ contient :

- un système d'alimentation d'eau MQ avec clapet anti-retour intégré
- un clapet d'entrée anti-retour en sachet plastique
- une notice d'installation et de fonctionnement.

### AVERTISSEMENT

*Avant de procéder à l'installation, veuillez lire cette notice d'installation et de fonctionnement. L'installation et le fonctionnement doivent être conformes à la réglementation locale et aux règles de bonne pratique en vigueur.*



### 3. Symboles utilisés dans ce document



#### **AVERTISSEMENT**

*Le non respect de ces consignes de sécurité peut entraîner des accidents corporels.*

*Le non respect de ces consignes de sécurité peut entraîner des dysfonctionnements ou des dommages à l'équipement.*

Précaution

*Remarques ou instructions facilitant le travail et assurant un fonctionnement sécurisé.*

Nota

### 4. Applications

Le groupe d'alimentation d'eau MQ est conçu pour les applications types suivantes :

- surpression d'eau (pression d'entrée maximale : 40 psi).
- alimentation en eau en provenance de puits (hauteur d'aspiration maximale : 7,62 m, 25 pieds), par exemple
  - dans les résidences privées
  - dans les exploitations agricoles
  - dans les jardins maraîchers et autres grands espaces verts.

La pompe est adaptée à l'eau de pluie.

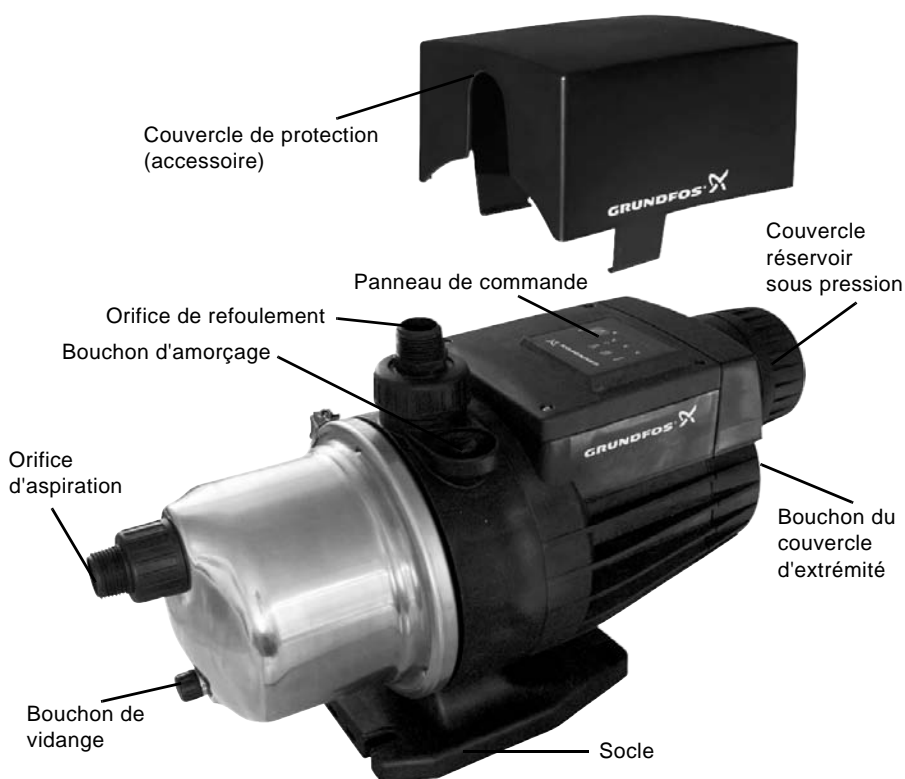
#### 4.1 Liquides pompés

Liquides fluides, clairs, non agressifs ne contenant pas de particules solides ni de fibres.

## 5. Identification

### 5.1 Désignation

<b>Exemple</b>	<b>MQ</b>	<b>3</b>	<b>-35</b>	<b>A</b>	<b>-O</b>	<b>-A</b>	<b>BVBP</b>
Type de pompe							
Débit nominal [m <sup>3</sup> /h]							
Hauteur [m]							
Code du modèle de pompe							
A: Norme							
Code du raccordement tuyauterie							
Code des matériaux							
A: Norme							
Code joint d'arbre							



**Fig. 1** Système d'alimentation d'eau MQ. Le couvercle de protection est requis pour une utilisation en extérieur

## 6. Conditions de fonctionnement

	MQ 3-35	MQ 3-45
Débit maximal [gpm]	22	
Pression maximale [psi]	51	65
Pression de service maximale [psi]	108	
Hauteur maximale d'aspiration [pieds], voir page 49	25	
Température ambiante minimale [°F]/[°C]	32/0	
Température ambiante maximale [°F]/[°C]	113/45	
Température minimale du liquide [°F]/[°C]	32/0	
Température maximale du liquide [°F]/[°C]	95/35	
Poids net [lbs]	29	
Niveau de pression sonore [dB(A)]	< 70	
Capacité du réservoir [oz]	13,5	
Pression d'air dans le réservoir [psi]	22 à 25	
Branchements	1" NPT	
Bouchons de vidange et d'amorçage	3/8" GAS	

### 6.1 Hauteur d'aspiration

La hauteur maximale d'aspiration de la pompe peut être déterminée d'après le schéma de la page 49.

#### Exemple

Si la hauteur d'aspiration est de 3 m (10 pieds), la longueur du conduit d'aspiration ne doit pas dépasser 22 m (72 pieds).

## 7. Installation mécanique

### 7.1 Lieu d'installation

La pompe est conçue pour une installation en intérieur et en extérieur. Elle résiste à la lumière du soleil.

Nota

*Si la pompe est installée en extérieur, elle doit être équipée d'un couvercle de protection (accessoire). Voir parag. 7.5 Couvercle de protection et 13. Accessoires.*

Nota

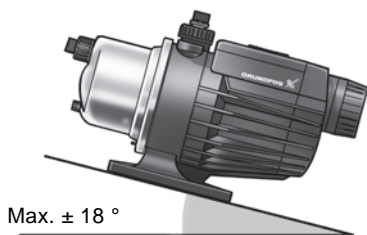
*En cas de fuite interne accidentelle, le liquide pompé sera vidangé du socle et/ou du couvercle d'extrémité pour éviter d'endommager la pompe. Installer la pompe de manière à éviter tout dommage collatéral indésirable.*

### 7.2 Base

Installer la pompe sur le socle, avec l'orifice d'aspiration à l'horizontale et l'orifice de refoulement à la verticale.

La pompe doit être installée horizontalement.

Angle d'inclinaison maximal admissible :  $\pm 18^\circ$ . Voir fig. 2.



TM01 9691 2600

**Fig. 2** Installation horizontale de la pompe MQ

Pour éviter mouvements et vibrations, la pompe et le socle peuvent être sécurisés à une base solide, par les orifices de boulons dans le socle. Pour raccordement tuyauterie, voir parag. 7.4 Tuyauterie.

### 7.3 Dégagement requis

Pour l'inspection et l'entretien, prévoir un dégagement d'au moins 150 cm (60") derrière la pompe.



TM04 3746 5008

**Fig. 3** Dégagement minimal derrière la pompe

La pompe étant auto-refroidie, elle ne nécessite ni dégagement ni ventilation sur les côtés.

**S'assurer que les températures ambiantes maximales ne dépassent pas les valeurs indiquées au parag. 6. Conditions de fonctionnement.**

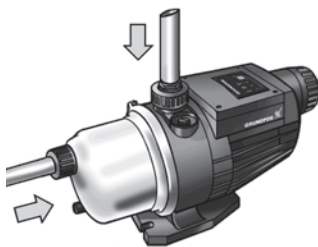
Nota

### 7.4 Tuyauterie

Nota

**Ne jamais forcer lors du raccordement de conduits.**

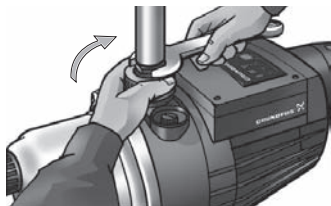
La pompe est fournie avec des raccords filetés NPT 1". Fixer les raccords dans les orifices d'aspiration et de refoulement. Voir fig. 4. Pour faciliter la fixation, l'orifice de refoulement de la pompe est orientable,  $\pm 5^\circ$ .



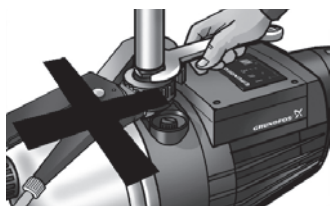
TM01 9698 2600

**Fig. 4** Fixation des raccords filetés dans les orifices d'aspiration et de refoulement

Visser avec précaution le raccord de refoulement dans l'orifice de refoulement avec une clé ou un outil similaire. Maintenir le raccord de refoulement et serrer manuellement l'écrou-union de refoulement de la pompe. Voir fig. 5.



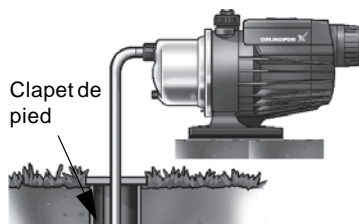
**Fig. 5** Correct : serrer manuellement l'écrou-union de refoulement



**Fig. 6** Incorrect : ne **pas** utiliser d'outil pour serrer l'écrou-union de refoulement

#### 7.4.1 Conduits d'aspiration branchés à un puits

Si la pompe est utilisée pour le pompage d'un puits, il est recommandé d'installer un clapet de pied à l'extrémité du conduit d'aspiration. Voir fig. 7.



**Fig. 7** Conduits d'aspiration branchés à un puits

#### 7.4.2 Flexible d'aspiration au lieu de conduit

Si un **flexible** d'aspiration est utilisé au lieu d'un conduit, il ne doit pas excéder les longueurs indiquées dans le graphique, page 49. Le flexible d'aspiration doit être d'au moins  $\varnothing 1''$ . Le flexible doit être de type semi-rigide.

#### 7.4.3 Conduits d'aspiration longs

Un clapet d'entrée anti-retour séparé est fourni avec la pompe. Avec les conduits d'aspiration longs, il est recommandé de fixer un clapet d'entrée anti-retour dans l'orifice d'aspiration de la pompe. Voir paragr. 7.4.4 *Installation du clapet anti-retour en entrée*

Les conduits doivent être soutenus de manière adéquate, de chaque côté de la pompe, pour éviter des contraintes sur les raccords de la pompe.

TM04 4271 1009

TM 044272 1009

TM01 9693 2600



### 7.4.4 Installation du clapet anti-retour en entrée

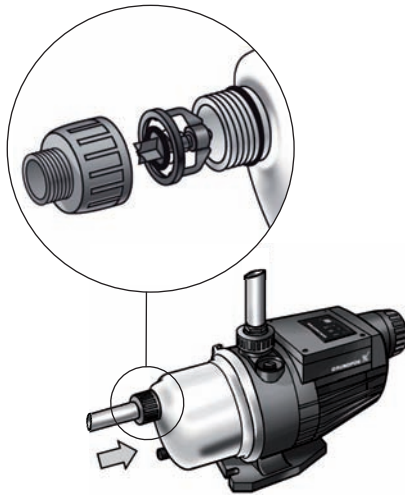
Le clapet d'entrée anti-retour réduit le risque d'infiltration d'amorçage de la pompe, dans les applications d'aspiration négative. Il augmente aussi la capacité d'auto-aspiration, par exemple avec de l'eau provenant d'une citerne.

Installer le clapet d'entrée anti-retour de la manière suivante, voir fig. 8.

1. Retirer le branchement d'aspiration de la pompe.
2. Fixer le clapet d'entrée anti-retour dans l'orifice d'aspiration, dans la direction indiquée en fig. 8.
3. Rebrancher le raccord de pompe.

**Les applications avec pression d'entrée positive ne nécessitent pas l'installation d'un clapet d'entrée anti-retour. La pompe MQ est en effet équipée d'un clapet anti-retour interne côté refoulement.**

**Nota**



**Fig. 8** Installation du clapet d'entrée anti-retour

TM 04 4121 0809

### 7.5 Couvercle de protection

**L'absence d'utilisation du couvercle de protection sur les installations en extérieur rend la garantie caduque.**

Le couvercle de protection protège le panneau de commande des intempéries. Il est disponible en option. Voir parag. 13. *Accessoires*.

Pour fixer le couvercle de protection, le cliquer sur le haut du panneau de commande pour qu'il s'emboîte dans les nervures supérieures de refroidissement.

Pour retirer le couvercle, tirer les deux clips vers l'extérieur, le libérer des nervures de refroidissement et le tirer vers le haut.



**Fig. 9** Couvercle de protection

TM04 3745 5008

## 8. Branchement électrique

Les branchements électriques et protections complémentaires doivent être effectués par un électricien agréé, conformément aux réglementations locales.

### AVERTISSEMENT

**Pompe non submersible.**

**Si le câble d'alimentation est endommagé, il doit être remplacé par le fabricant, un réparateur agréé Grundfos ou des personnes qualifiées et autorisées pour éviter des risques.**

**Ne jamais effectuer de branchements dans la boîte à bornes de la pompe, sauf si l'alimentation électrique a été mise hors tension pendant au moins 5 min.**

**Risque de choc électrique.**

**Cette pompe est fournie avec un fil de mise à terre et une fiche de mise à terre. Pour réduire le risque de choc électrique, brancher uniquement sur un circuit protégé par un disjoncteur différentiel de type GFCI.**

**Cette pompe n'est ni conçue ni testée pour une utilisation en piscines ou dans les zones marines.**

**Cette pompe a été évaluée uniquement pour une utilisation avec de l'eau.**

**Ne pas démarrer la pompe avant de l'avoir remplie d'eau (amorcée, voir fig. 12).**

**Convient pour une utilisation en intérieur et en extérieur.**

**Type de protection 3.**

La fréquence et la tension de fonctionnement sont indiquées sur la plaque signalétique. S'assurer que le moteur est conçu pour l'alimentation électrique qui sera utilisée.

La pompe doit être branchée au réseau d'alimentation par un câble gainé avec protection à la terre. Il est possible de remplacer le câble d'alimentation électrique. Voir fig. 10.

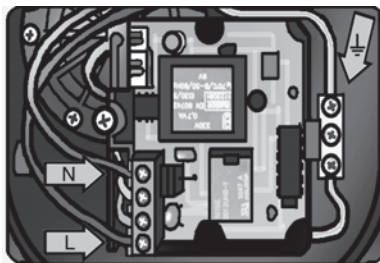


Fig. 10 Branchement électrique

Brancher le câble d'alimentation de la pompe au réseau électrique. Une fois le câble branché, un voyant vert et un voyant rouge situés sur la panneau de commande s'allument. Voir fig. 11.

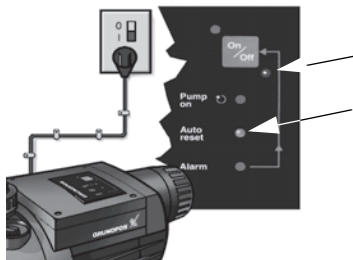


Fig. 11 Branchement du câble d'alimentation secteur

### 8.1 Générateur ou inverseur

**Le groupe MQ peut être alimenté par un générateur ou par un inverseur. Cependant, la pompe ne fonctionnera de manière satisfaisante que si le générateur ou l'inverseur fournissent une véritable onde sinusoïdale avec la puissance et la tension d'entrée nécessaires. Le générateur doit être dimensionné 10 % au-dessus du P1 (puissance d'entrée) de la pompe. Pour P1, voir parag. 12.1 Dimensions.**

Nota

## 8.2 Schéma de câblage

### 8.2.1 115 V

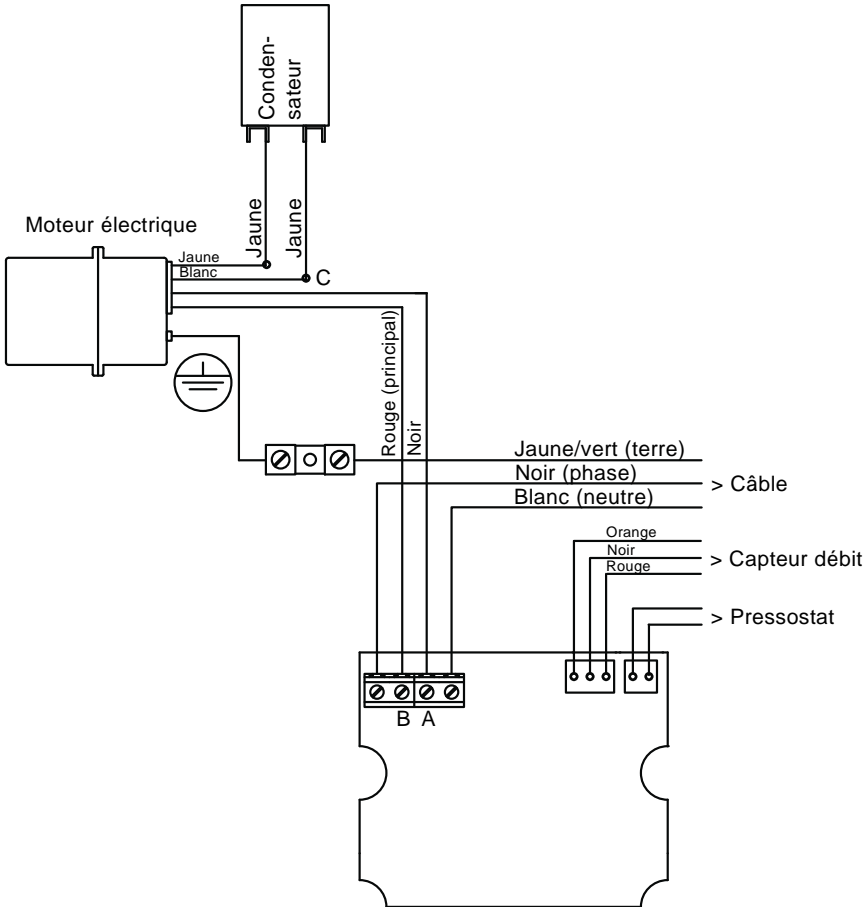


Fig. 12 Schéma de câblage - 115 V

### 8.3 Mesure résistance d'enroulement

Moteur [V/Hz]	Point de mesure	Enroulement	Résistance [ $\Omega \pm 10\%$ ]	Température ambiante	
				[°F]	[°C]
115/60	A-B (noir - rouge)	Principal	1,4	70	21
	A-C (noir- blanc)	Aux.	5,5		

La mesure peut être effectuée avec ou sans câbles raccordés au PCB et au condensateur.

## 8.3.1 230 V

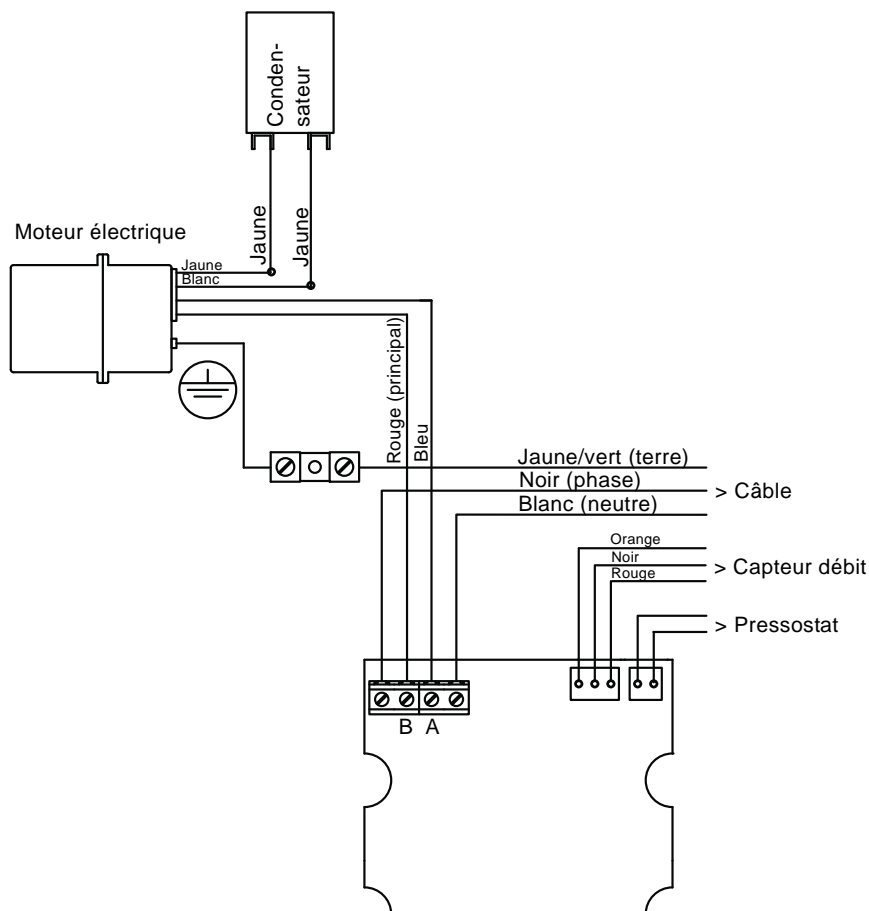


Fig. 13 Schéma de câblage - 230 V

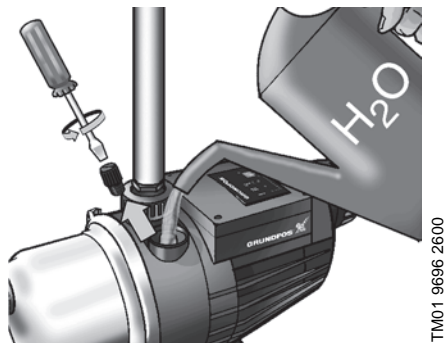
## 8.4 Mesure de la résistance d'enroulement

Moteur [V/Hz]	Point de mesure	Enroulement	Résistance [ $\Omega \pm 10\%$ ]	Température ambiante	
				[°F]	[°C]
230/60	A-B (bleu - rouge)	Principal	5,4	70	21
	A-C (bleu - blanc)	Aux.	5,4		

La mesure peut être effectuée avec ou sans câbles raccordés au PCB et au condensateur.

## 8.5 Démarrage

Avant le démarrage, la pompe doit être remplie avec 4,5 l à 5,7 l (1,2 à 1,5 gallons) d'eau pour permettre l'auto-amorçage, voir fig. 14. La pompe est auto-amorçante avec hauteur d'aspiration maximale de 7,6 m (25 pieds).



**Fig. 14** Amorçage de la pompe

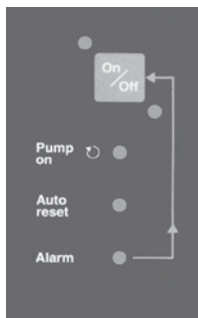
Une fois démarrée, la pompe commence à s'auto-amorcer. Une fois amorcée, elle passe automatiquement en fonctionnement normal. Si l'amorçage ne s'est pas terminé au bout de 5 min, la pompe s'arrête automatiquement. Elle essaie de redémarrer 30 min plus tard. Il est possible de réinitialiser la pompe manuellement. Voir point 2 du tableau au paragr. 9.1 *Panneau de commande*.

## 9. Fonctions

### 9.1 Panneau de commande

La pompe MQ est entièrement commandée par le panneau de commande. Voir fig. 1.

Le panneau de commande permet le démarrage et l'arrêt de la pompe. Les réglages de la pompe et les conditions de fonctionnement sont indiqués par des voyants lumineux. Voir fig. 15.



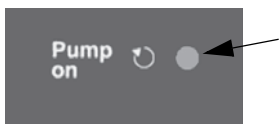
TM01 9684 2600

Fig. 15 Panneau de commande

Les fonctions du panneau de commande sont décrites sur le tableau ci-dessous.

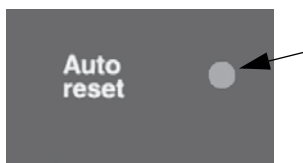
Illustration	Description
1 	<b>Voyant rouge</b> Si ce voyant est allumé, la pompe est en attente.
2 	<b>Bouton On/Off (marche/arrêt)</b> La pompe est démarrée/arrêtée avec le bouton On/Off (marche /arrêt). On/Off (marche/arrêt) peut aussi être utilisé pour une réinitialisation manuelle, en cas d'alarme : <ul style="list-style-type: none"> <li>• appuyer une fois pour réinitialiser</li> <li>• appuyer une nouvelle fois pour démarrer.</li> </ul>
3 	<b>Voyant vert</b> Indique que la pompe est prête à fonctionner. Si ce voyant est allumé, la pompe démarre automatiquement, une fois l'eau consommée. La pompe s'arrête quelques secondes après la fin de la consommation.

4

**Pump on (pompe en marche) (vert)**

Ce voyant est allumé quand la pompe fonctionne.

5

**Auto reset (réinitialisation automatique) (vert)**

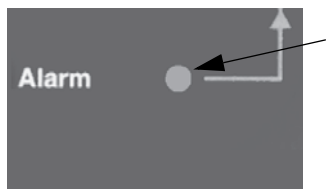
En standard, la fonction est activée à la livraison.

- Si ce voyant est **allumé**, la fonction de réinitialisation automatique (Auto reset) est activée. La pompe essaie automatiquement de redémarrer toutes les 30 min après un défaut ou une alarme, ceci pendant 24 h. Une fois passé ce délai, la pompe reste dans la condition d'alarme.
- Une fois le voyant **éteint**, la fonction de réinitialisation automatique (Auto reset) est désactivée. La pompe ne redémarre pas après un défaut ou une alarme.

La fonction de réinitialisation automatique (Auto reset) peut être activée/désactivée en appuyant sur le bouton On/Off pendant 5 secondes.

**Remarque** - Une fois l'eau consommée, la pompe démarre et s'arrête automatiquement, si le voyant Auto-reset (réinitialisation automatique) est allumé.

6

**Alarme (rouge)**

Le voyant s'allume quand la pompe est en condition d'alarme.

La condition d'alarme peut être activée par :

- marche à sec
- surchauffe
- surcharge du moteur
- grippage du moteur ou de la pompe.

Voir paragr. 9.2 Arrêt de la pompe.

**9.2 Arrêt de la pompe**

Une fonction électronique de protection est intégrée à la pompe. Elle arrête la pompe en cas :

- de marche à sec,
- de surchauffe,
- de surcharge du moteur
- de grippage du moteur ou de la pompe.

La pompe redémarre automatiquement après 30 min (pendant 24 h) en cas de défaut, si la fonction de réinitialisation automatique (Auto reset) est activée (voyant vert du panneau de commande allumé, voir point 5 sur le tableau au paragr. 9.1 Panneau de commande).

**Nota**

**Les réglages de la pompe sont enregistrés. Après une coupure de courant, la pompe revient automatiquement aux conditions de fonctionnement précédentes, une fois l'alimentation électrique rétablie.**

## 10. Maintenance

Dans des conditions de fonctionnement normales, la pompe ne nécessite aucune maintenance. Il est toutefois recommandé de la maintenir propre.

### AVERTISSEMENT

**Ne pas retirer de la pompe le réservoir sous pression sauf s'il a été purgé par la vis de purge d'air.**



**Ne jamais toucher les composants électroniques, sauf si la pompe a été mise hors tension pendant au moins 5 min.**

En cas de risque de gel, vidanger la pompe par l'orifice de vidange et desserrer l'écrou-union du conduit de refoulement, voir fig. 16. La pompe doit être remplie de liquide avant le redémarrage. Voir fig. 14.

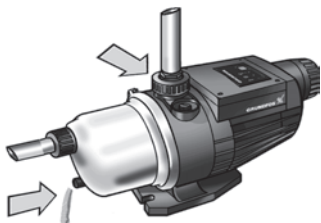


Fig. 16 Vidange de la pompe

### 10.1 Kits de service

Des kits de service sont disponibles pour la pompe MQ. Les kits de service comprennent les pièces détachées suivantes :

- joint d'arbre,
- moteur,
- composants électroniques,
- composants hydrauliques.

## 10.2 Démarrage après une longue période d'inactivité

Le couvercle d'extrémité comporte un bouchon pouvant être retiré à l'aide d'un outil approprié.

Voir fig. 17. Il est ainsi possible de libérer le rotor de la pompe si celui-ci est grippé notamment après une période d'inactivité. Si la pompe a été vidangée, elle doit être de nouveau remplie de liquide avant sa mise en marche. Voir fig. 14.



Fig. 17 Retirer le bouchon du couvercle d'extrémité

## 11. Service

**Si une pompe a été utilisée avec un liquide nuisible à la santé ou toxique, la pompe sera classée comme contaminée.**

Nota

Avant de renvoyer la pompe chez Grundfos pour révision, veuillez contacter Grundfos pour fournir des détails sur le liquide pompé, etc. Grundfos peut, sinon, refuser d'accepter la pompe pour révision.

Les coûts éventuels de renvoi de la pompe sont à la charge du client.

Toute demande de révision (adressée à qui que ce soit), doit inclure des détails concernant le liquide pompé si la pompe a été utilisée avec des liquides nuisibles à la santé ou toxiques.

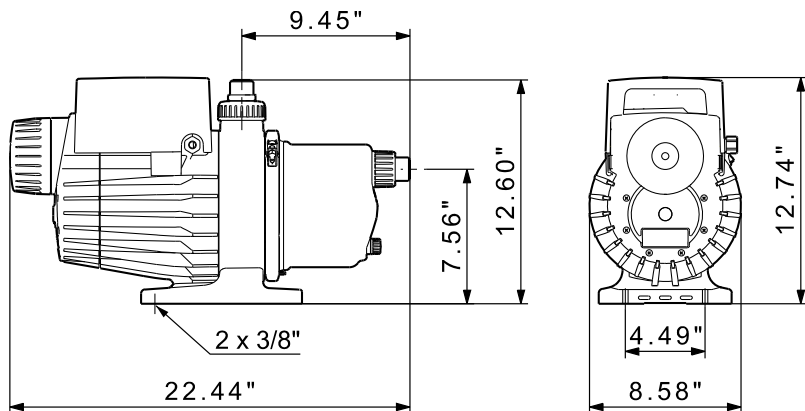
TM01 9697 4403

TM04 3633 4608



## 12. Caractéristiques techniques

### 12.1 Dimensions



TM01 9799 508

### 12.2 Caractéristiques électriques

		MQ 3-35	MQ 3-45
Type de protection		3	
Indice de protection		IP 54	
Classe d'isolation		B	
Câble d'alimentation		2 m (6,56 pieds) SJTW 18 awg avec/sans fiche	
Tension, consommation de puissance, P <sub>1</sub> [W]	1 x 115-120 V – 10/+ 6 %, 60 Hz	900 W/8,0 A	1100 W/10,0 A
	1 x 220-240 V – 10/+ 6 %, 60 Hz	850/4,0 A	1050/4,8 A

### 12.3 Approbations

Listé UL et homologué CSA.

## 13. Accessoires

Modèle	Désignation	Numéro du produit
MQ 3-35 / MQ 3-45	Couvercle de protection	96590745

## 14. Tableau de recherche de défauts

Défaut	Cause	Solution
1. La pompe ne démarre pas.	a) Pas assez d'eau.	Vérifier l'alimentation en eau/le conduit d'aspiration.
	b) Surchauffe due à une température de liquide excessive (au-dessus de +95 °F/+35 °C).	Verser du liquide froid sur la pompe.
	c) Surchauffe due à un grippage/ blocage de la pompe.	Contactez votre fournisseur de pompe.
	d) Tension d'alimentation trop élevée ou trop faible.	Vérifier la tension d'alimentation et corriger le défaut, si possible.
	e) Pas d'alimentation électrique.	Brancher l'alimentation électrique.
	f) Pas de consommation d'eau.	Ouvrir un robinet. Vérifier que la hauteur entre le point le plus haut du conduit de refoulement et la pompe ne dépasse pas 15,24 m (50 pieds).
	g) L'arbre est bloqué.	Faire tourner l'arbre comme décrit sous 10.2.
	h) La pompe est en condition alarme.	Réinitialiser la pompe avec On/Off (marche/arrêt). Voir point 2 du tableau au paragr. 9.1 <i>Panneau de commande</i> .
2. La pompe ne s'arrête pas.	a) Le conduit existant fuit ou est défectueux.	Réparer la tuyauterie.
	b) Le clapet anti-retour est bloqué ou manque.	Nettoyer le clapet ou installer un nouveau clapet anti-retour.
3. La pompe s'arrête pendant le fonctionnement.	a) Marche à sec.	Vérifier l'alimentation en eau/le conduit d'aspiration.
	b) Surchauffe due à une température de liquide excessive (au-dessus de +95 °F/+35 °C).	Verser du liquide froid sur la pompe.
	c) Surchauffe causée par : – une température ambiante élevée (> 113 °F/45 °C) – une surcharge du moteur – le grippage du moteur ou de la pompe.	Contactez votre fournisseur de pompe.
	d) Tension d'alimentation trop faible.	Vérifier la tension d'alimentation et corriger le défaut, si possible.
4. La pompe démarre et s'arrête trop fréquemment.	a) Fuite dans le conduit d'aspiration ou présence d'air dans l'eau.	Vérifier l'eau et le conduit d'aspiration/d'alimentation.
	b) Pression trop faible ou trop élevée dans le réservoir sous pression.	Vérifier la pression dans le réservoir sous pression. Voir paragr. 6. <i>Conditions de fonctionnement</i> .

Défaut	Cause	Solution
5. La pompe provoque des chocs électriques.	a) Branchement à la terre défectueux.	Brancher la mise à terre à la pompe, conformément aux réglementations locales.
6. La pompe démarre quand il n'y a plus de consommation d'eau.	a) Clapet anti-retour interne défectueux, fuite sur la tuyauterie existante ou tuyauterie défectueuse.	Nettoyer le clapet ou en installer un nouveau.

Si la pompe ne démarre pas une fois le défaut corrigé, contacter votre fournisseur ou Grundfos pour informations supplémentaires.

## 15. Questions fréquemment posées concernant la pompe MQ

### 1. Qu'est-ce qui provoque le démarrage de la pompe MQ ?

**Réponse** - La pompe MQ est équipée d'un commutateur de débit interne et d'un pressostat. Ces deux éléments peuvent faire démarrer la pompe MQ, selon la consommation d'eau. La pompe démarre :

si le débit est supérieur à 0,3 gpm

OU

si la pression est inférieure à 29 psi.

### 2. Qu'est-ce qui provoque l'arrêt de la pompe MQ ?

**Réponse** - Mis à part la touche manuelle On/Off (marche/arrêt), seul l'interrupteur de débit est autorisé à arrêter automatiquement la pompe MQ en cours de fonctionnement normal si le débit tombe à moins de 0,3 gpm. La pompe s'arrête 12 à 15 sec après l'arrêt du débit.

La pompe MQ s'arrête également en cas de marche à sec ou d'alarme indiquant une surchauffe.

### 3. Quelle est la hauteur maximale d'un robinet au-dessus de la pompe MQ ?

**Réponse** - Si on installe un robinet ou un robinet de puisage à une hauteur de plus de 15 m

(50 pieds) au-dessus de la pompe MQ, elle risque de ne plus pouvoir démarrer. Si la pompe démarre pour cause de faible pression (débits faibles), la pression doit chuter sous le point d'activation du pressostat (réglage usine 28 à 30 psi). Pour permettre une pression de 15 m

(50 pieds) d'eau, des tolérances et une marge de sécurité, nous recommandons une hauteur maximale de 15 m (50 pieds) entre la pompe et un robinet.

### 4. À quoi sert le réservoir sous pression intégré ?

**Réponse** - Le réservoir sous pression intégré est déjà pressurisé en usine à environ 23 psi (avec pression de pompe à zéro) et contient 0,42 l

(14 onces) d'eau. Il est conçu pour minimiser un démarrage du moteur dû à de légères fuites.

### 5. Comment est déterminée la marche à sec ?

**Réponse** - L'alarme pour marche à sec est activée quand le moteur fonctionne ET que le débit est moins de 1.6 gpm ET que la pression est inférieure au réglage du pressostat. Si cette situation se prolonge pendant 12 sec, l'alarme est activée après 1 min et le moteur s'arrête. La pompe MQ tente de redémarrer automatiquement toutes les 30 min pendant 24 h max. Après plus de 24 h sans eau, redémarrer la pompe manuellement.

### 6. Quelle est la pression d'alimentation maximale autorisée dans la pompe MQ ?

**Réponse** - Pour les pompes MQ 3-35 et MQ 3-45, la pression interne maximale autorisée est de 109 psi. La pression d'alimentation maximale, ajoutée à la pression de la pompe MQ, ne doit pas dépasser 109 psi.

Ne pas oublier que la pression d'alimentation s'ajoute à la pression de la pompe MQ. Donc, avec une pression d'alimentation de 40 psi fournie à la pompe MQ3-45, les pressions internes peuvent atteindre environ 105 psi (65 + 40 psi).

De plus, si les pressions d'alimentation dépassent le point d'activation du pressostat intégré (réglage usine 28 à 30 psi), le pressostat ne pourra pas activer. On ne pourra alors plus faire démarrer la pompe MQ à de faibles débits. Dans ce cas, seul l'interrupteur de débit pourra faire démarrer la pompe MQ à des débits supérieurs à son point d'activation de 0,3 gpm.

**7. Quelle est la capacité d'amorçage de la pompe MQ ?**

**Réponse** - Environ 4,5 l (1,2 gallons).

**8. Comment est détectée la température de surcharge/surchauffe de la pompe MQ ?**

**Réponse** - Le moteur est équipé d'un thermorupteur intégré aux enroulements du moteur. Ce commutateur coupe le moteur et le fait redémarrer. Voir tableau ci-dessous.

Protection thermique			
	[V]	[°F]	[°C]
Déclenché	115	302	150
	230	275	135
Enclenché	Les deux	151	65-67

**9. Où peut-on installer facilement un manomètre pour mesurer la pression de refoulement ?**

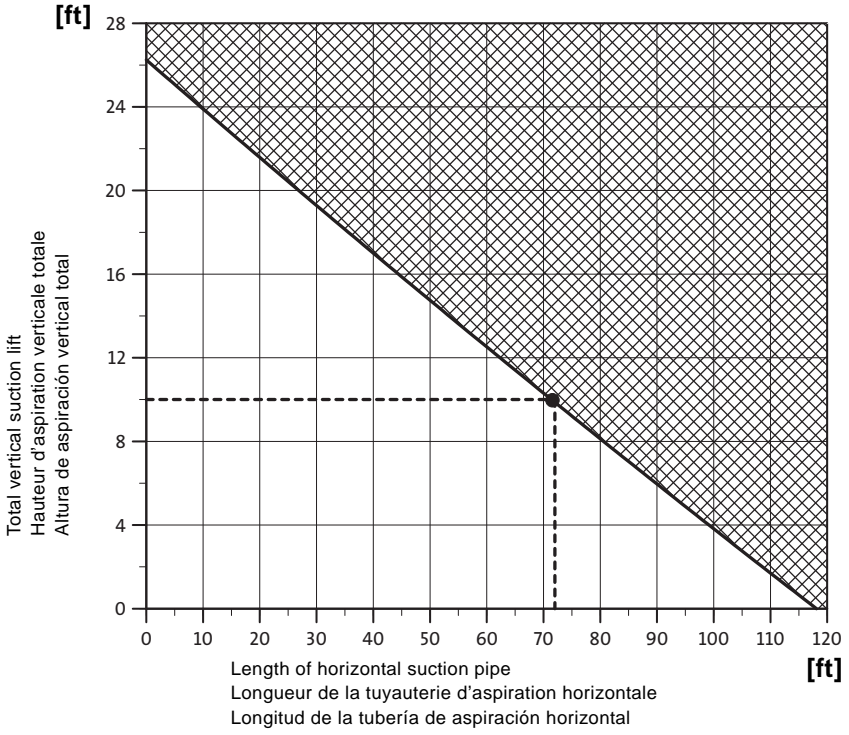
**Réponse** - Dans la tuyauterie de refoulement ou dans l'ouverture fileté droite 3/8" GAS utilisée pour ajouter de l'eau d'amorçage à la pompe.

## 16. Mise au rebut

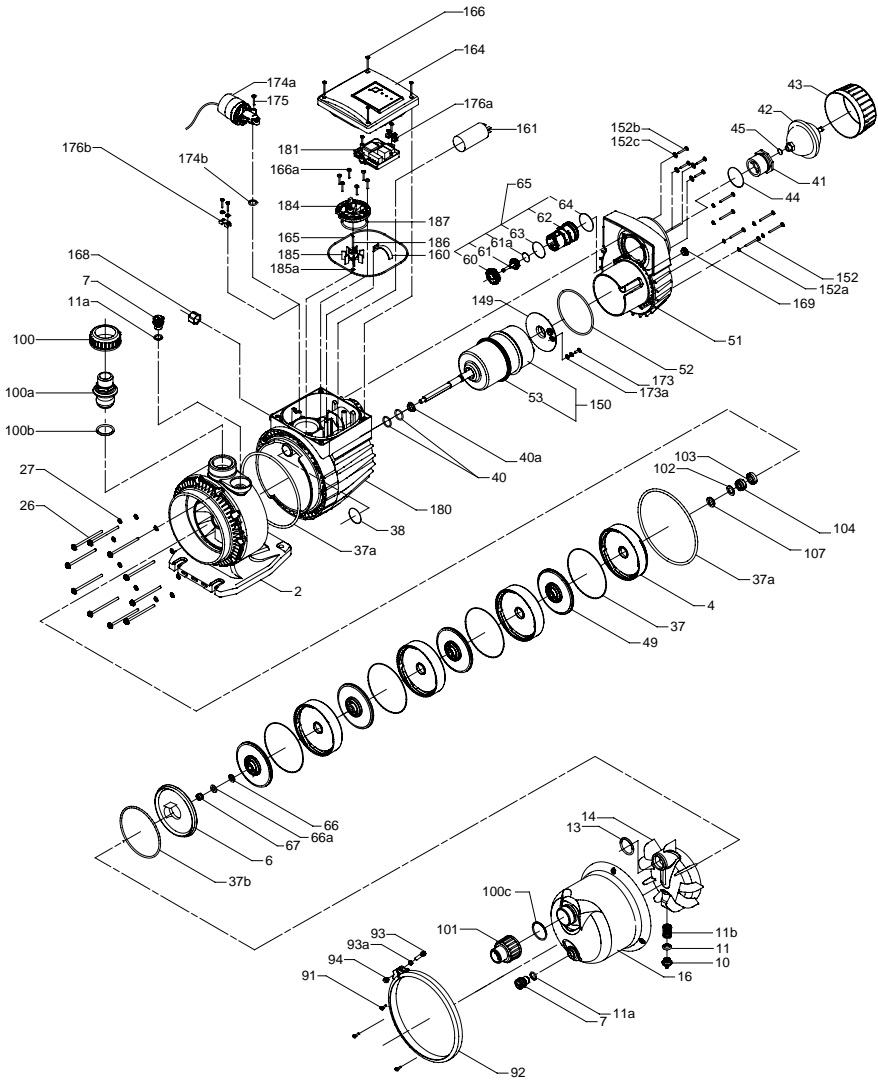
Ce produit ou ses composants doivent être mis au rebut dans le respect de l'environnement.

1. Utiliser le service de voirie public ou privé.
2. Si cela n'est pas possible, contacter la société Grundfos la plus proche ou un atelier d'entretien.

## Suction lift/suction pipe



# Exploded view



Pos.	Description (US)	Descripción (MX)	Description (CA)
2	Motor stool with base plate	Soporte del motor con base	Lanterne moteur avec socle
7	Priming plug	Tapón de cebado	Bouchon d'amorçage
14	Self-priming part	Pieza de autocebado	Pièce d'auto-amorçage
16	Pump sleeve	Camisa de la bomba	Chemise de pompe
42	Pressure tank	Tanque de presión	Réservoir sous pression
43	Cover	Tapa	Couvercle
51	End cover	Tapa final	Extrémité de la carcasse
53	O-ring	Junta tórica	Joint torique
65	Check valve	Válvula de retención	Clapet anti-retour
100a	Discharge connection	Conexión de descarga	Raccord de refoulement
101	Inlet connection	Conexión de aspiración	Raccord d'aspiration
161	Capacitor	Condensador	Condensateur
174a	Pressure switch	Presostato	Contacteur manométrique
181	Circuit board	Carta de circuito impreso	Carte de circuit imprimé
184	Flow switch cover	Tapa del interruptor de caudal	Couvercle de l'interrupteur de débit
185	Flow switch wheel	Rueda del interruptor de caudal	Roue de l'interrupteur de débit







**USA**

GRUNDFOS Pumps Corporation  
17100 West 118th Terrace  
Olathe, Kansas 66061  
Phone: +1-913-227-3400  
Telefax: +1-913-227-3500  
USA

Grundfos CBS Inc.  
902 Koomey Road  
77423 Brookshire, Texas  
Phone: (+1) 281 294 2700  
Telefax: (+1) 800 945 4777

**USA**

Peerless Pump Company  
2005 Dr. Martin Luther King Jr. Street  
P.O. Box 7026  
46207-7026 Indianapolis, Indiana  
Phone: (+1) 317 925 9661  
Telefax: (+1) 317 924 7388

**USA**

Yeomans Chicago  
Corporation  
3905 Enterprise Court  
IL 60504 Aurora  
Phone: (+1) 630 236 5500  
Telefax: (+1) 630 236 5511

**Canada**

GRUNDFOS Canada Inc.  
2941 Brighton Road  
Oakville, Ontario  
L6H 6C9  
Phone: +1-905 829 9533  
Telefax: +1-905 829 9512

**México**

Bombas GRUNDFOS de México S.A. de  
C.V.  
Boulevard TLC No. 15  
Parque Industrial Stiva  
Aeropuerto  
Apodaca, N.L.C.P. 66600  
Phone: +52-81-8144 4000  
Telefax: +52-81-8144 4010

**México**

Peerless Pumps Mexico, S.A de C.V.  
Avenida Milimex 115  
Parque Industrial Milimex  
Apodaca N.L. 66600  
Phone: (+52) 81 8625 9900  
Telefax: (+52) 81 8625 9915

L-MQ-TL-001 05.11

**P1720439**

<b>V7173255</b> 0511
Repl. V7173255 1010

ECM: 1076228

The name Grundfos, the Grundfos logo, and the payoff Be-Think-Innovate are registered trademarks owned by Grundfos Management A/S or Grundfos A/S, Denmark. All rights reserved worldwide.

© 2009 - 2011 Grundfos Pumps Corp.

---